

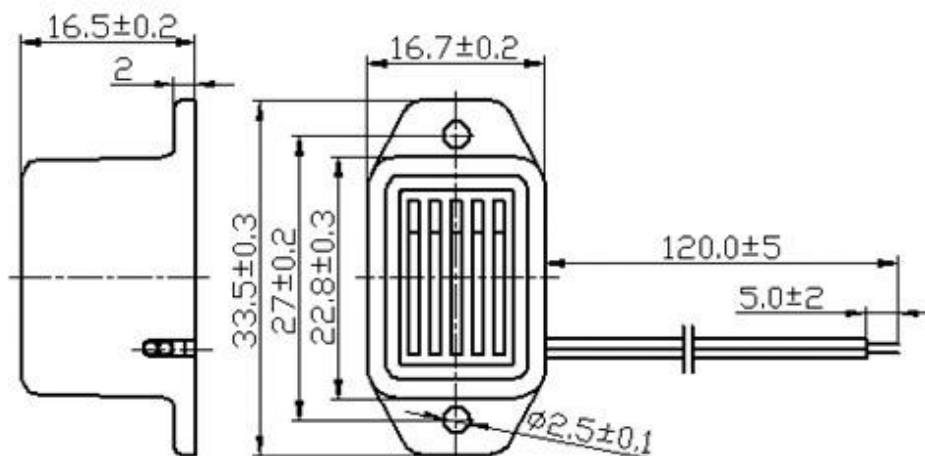


#### HE-208 SERIES:

Type	HE208-1	HE208-3	HE208-6	HE208-12
Rated Voltage (V)	1.5	3	6	12
Operating Voltage (V)	1.2~3	2~4	4~8	9~15
Rated Current (MA)	< 30			
Sound Output at 10cm (dB)	> 85			
Resonant Frequency (Hz)	400 ±100			
Tone Nature	Continuous			
Operating Temperature (°C)	25~+70			
Storage Temperature (°C)	-30~+80			
Weight (g)	8.5			

Value applying rated voltage (DC)

DIMENSIONS Unit:mm Tolerance:±0.5



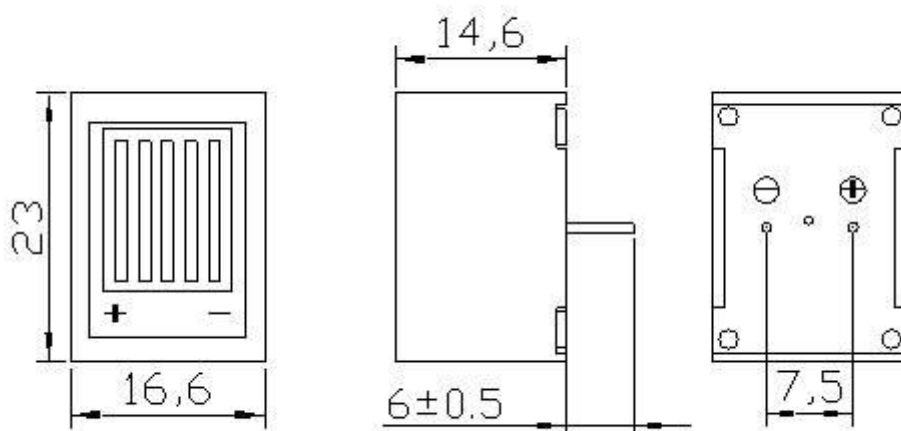


### HE-208P SERIES:

Type	HE208P-1	HE208P-3	HE208P-6	HE208P-12
Rated Voltage (V)	1.5	3	6	12
Operating Voltage (V)	1.2~3	2~4	4~8	9~15
Rated Current (MA)	< 30			
Sound Output at 10cm (dB)	> 85			
Resonant Frequency (Hz)	400 ±100			
Tone Nature	Continuous			
Operating Temperature (°C)	25~+70			
Storage Temperature (°C)	-30~+80			
Weight (g)	8.5			

Value applying at rated voltage

**DIMENSIONS**    Unit:mm    Tolerance:±0.5



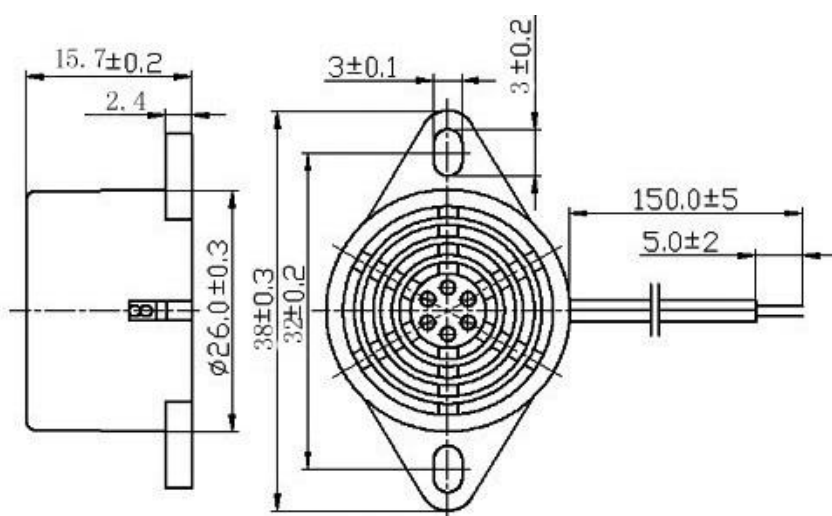


### HE-1048 SERIES:

Type	HE1048-6	HE1048-12	HE1048-24
Rated Voltage (V)	6	12	24
Operating Voltage (V)	4.5~7.5	9~15	20~28
Rated Current (MA)	< 30		
Sound Output at 10cm (dB)	> 85	> 85	> 85
Resonant Frequency (Hz)	400 ±100		
Tone Nature	Continuous		
Operating Temperature (°C)	25~+70		
Storage Temperature (°C)	-30~+80		
Weight (g)	8.5		

Value applying rated voltage (DC)

### DIMENSIONS Unit:mm Tolerance:±0.5





**HE-1268B12-W SERIES:**

Type	UNIT	HE-1268B12-W
Min.Sound Output at 20cm	dB	70
Rated Voltage	VAC/50Hz	12
Operating Voltage	VAC/50Hz	8~14
Max. Current Consumption	mA	250
Coil Resistance	$\Omega$	54.5 $\pm$ 10%
Operating Temperature	$^{\circ}\text{C}$	-25~+60
Storage Temperature	$^{\circ}\text{C}$	-25~+70
Weight	g	20

**DIMENSIONS Unit:mm Tolerance: $\pm$ 0.5**

