

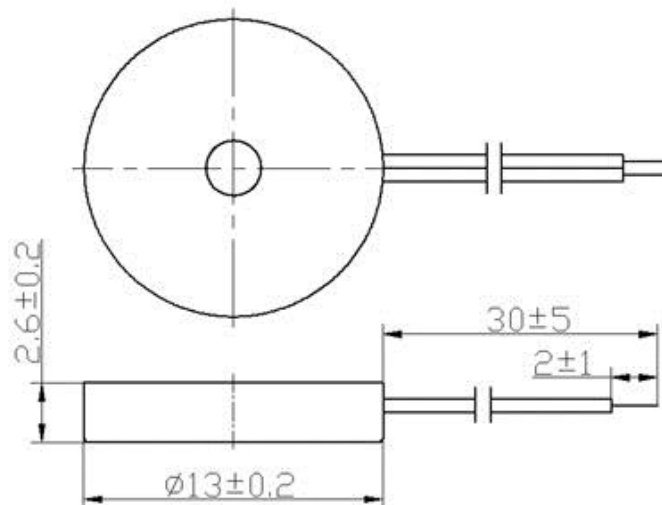


HP1330W SERIES:

Type	UNIT	HP1330W
*Min. Sound Output at 10cm	dB	70
Rated Voltage	Vp-p	5
Operating Voltage	Vp-p	1~20
Resonant Frequency	Hz	3500±500
*Max. Current Consumption	mA	2
Capacitance at 1,000HZ	pF	12000±30%
Operating Temperature	°C	-20~+60
Storage Temperature	°C	-30~+70
Weight	g	1

* Value applying at rated voltage

DIMENSIONS Unit:mm Tolerance:±0.5



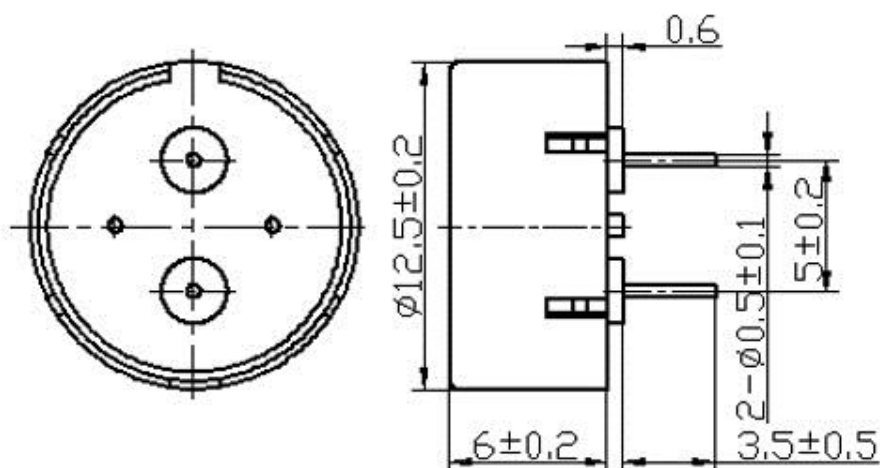


HP1360A SERIES:

Type	UNIT	HP1360A
*Min. Sound Output at 10cm	dB	70
Rated Voltage	Vp-p	3
Operating Voltage	Vp-p	1~30
Resonant Frequency	Hz	4000±500
*Max. Current Consumption	mA	2
Capacitance at 1,000HZ	pF	15000±30%
Operating Temperature	°C	-20~+70
Storage Temperature	°C	-30~+80
Weight	g	1.3

* Value applying at rated voltage

DIMENSIONS Unit:mm Tolerance:±0.5



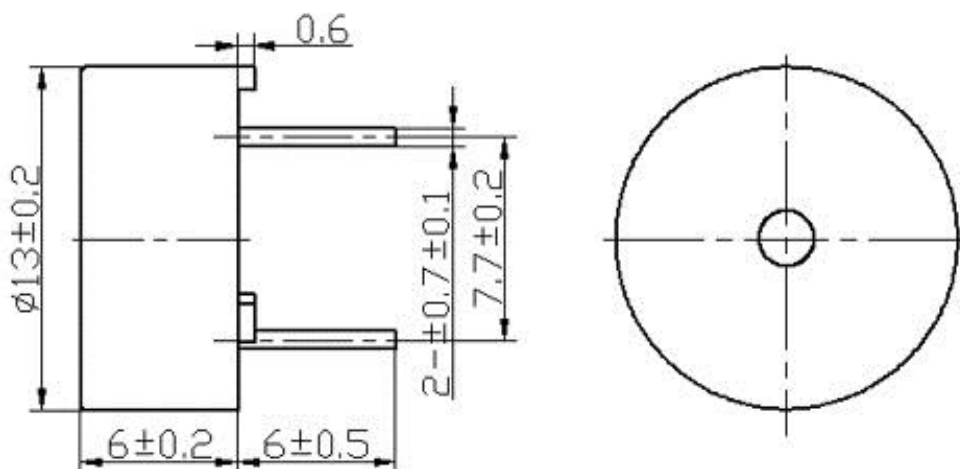


HP1360B SERIES:

Type	UNIT	HP1360A
*Min. Sound Output at 10cm	dB	70
Rated Voltage	Vp-p	3
Operating Voltage	Vp-p	1~30
Resonant Frequency	Hz	4000±500
*Max. Current Consumption	mA	2
Capacitance at 1,000HZ	pF	15000±30%
Operating Temperature	°C	-20~+70
Storage Temperature	°C	-30~+80
Weight	g	1.3

* Value applying at rated voltage

DIMENSIONS Unit:mm Tolerance:±0.5



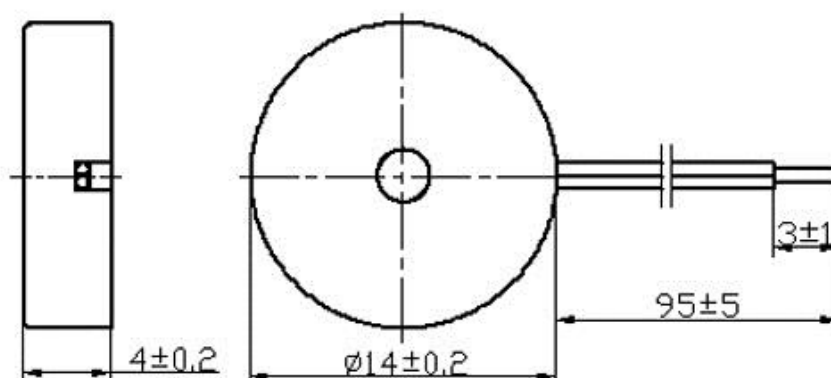


HP1440W SERIES:

Type	UNIT	HP1440W
*Min. Sound Output at 10cm	dB	85
Rated Voltage	Vp-p	10
Operating Voltage	Vp-p	1~20
Resonant Frequency	Hz	4800±500
*Max. Current Consumption	mA	2
Capacitance at 1,000HZ	pF	15000±30%
Operating Temperature	°C	-20~+60
Storage Temperature	°C	-30~+70
Weight	g	1

* Value applying at rated voltage

DIMENSIONS Unit:mm Tolerance:±0.5



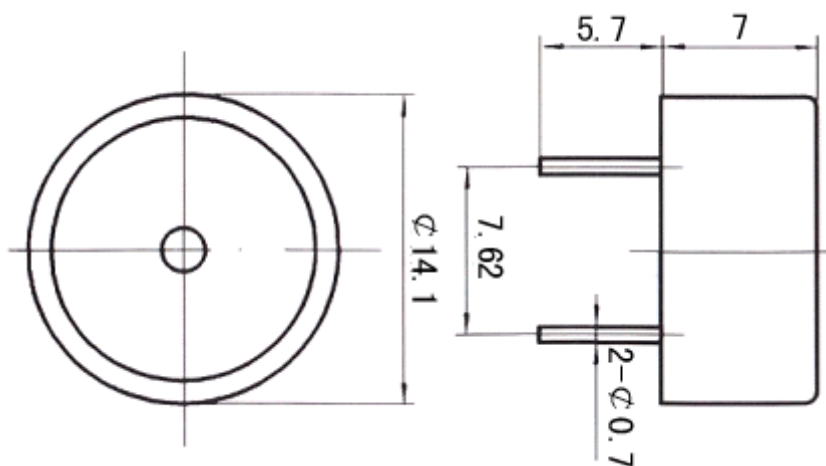


HP1470A SERIES:

Type	UNIT	HP147005A	HP147012A
*Min. Sound Output at 10cm	dB	80	85
Rated Voltage	Vp-p	5	12
Operating Voltage	Vp-p	1~30	1~30
Resonant Frequency	Hz	4000±500	4000±500
*Max. Current Consumption	mA	3	3
Operating Temperature	°C	-20~+70	
Storage Temperature	°C	-30~+80	
Weight	g	2	

Value applying rated voltage (DC)

DIMENSIONS Unit:mm Tolerance:±0.5



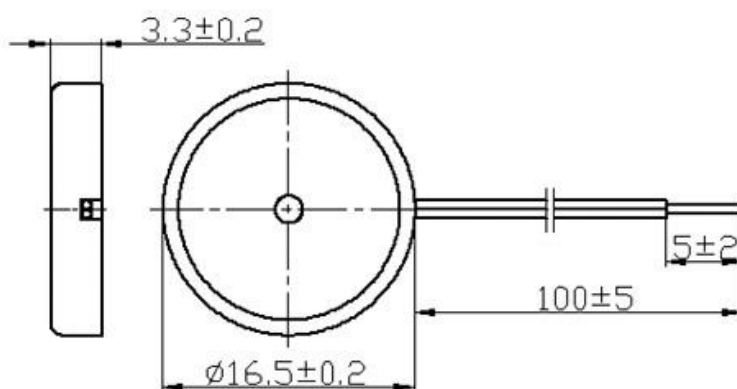


HP1740W SERIES:

Type	UNIT	HP1740W
*Min. Sound Output at 10cm	dB	80
Rated Voltage	Vp-p	9
Operating Voltage	Vp-p	1~25
Resonant Frequency	Hz	4000±500
*Max. Current Consumption	mA	2
Capacitance at 1,000HZ	pF	24000±30%
Operating Temperature	°C	-20~+60
Storage Temperature	°C	-30~+70
Weight	g	0.9

* Value applying at rated voltage

DIMENSIONS Unit:mm Tolerance:±0.5



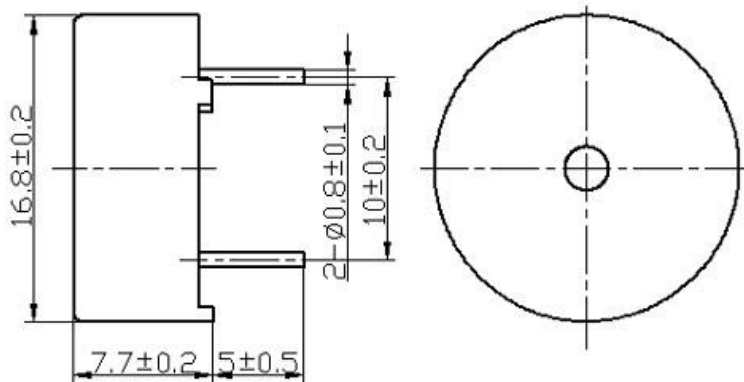


HP1770A SERIES:

Type	UNIT	HP1770A
*Min. Sound Output at 10cm	dB	85
Rated Voltage	Vp-p	9
Operating Voltage	Vp-p	1~30
Resonant Frequency	Hz	4000±500
*Max. Current Consumption	mA	2
Capacitance at 1,000HZ	pF	15000±30%
Operating Temperature	°C	-20~+70
Storage Temperature	°C	-30~+80
Weight	g	1.3

Value applying at rated voltage

DIMENSIONS Unit:mm Tolerance:±0.5



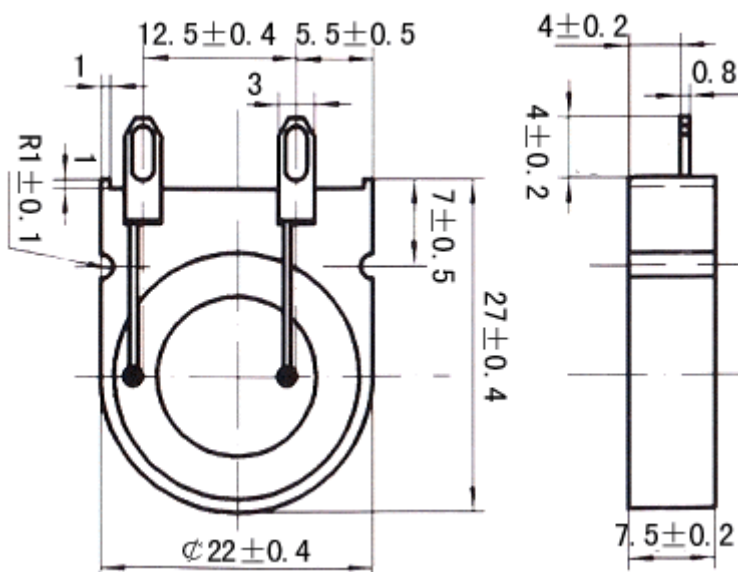


HP2275 SERIES:

Type	UNIT	HP2275A	HP2275B
*Min. Sound Output at 10cm	dB	75	80
Rated Voltage	Vp-p	3	10
Operating Voltage	Vp-p	1~30	1~30
Resonant Frequency	Hz	2000	3000
*Max. Current Consumption	mA	4	4
Capacitance at 1,000HZ	pF	19000±30%	35000±30%
Operating Temperature	°C	-20~+60	-20~+60
Storage Temperature	°C	-30~+70	-30~+70
Weight	g	2.5	2.5

Value applying at rated voltage

DIMENSIONS Unit:mm Tolerance:±0.5



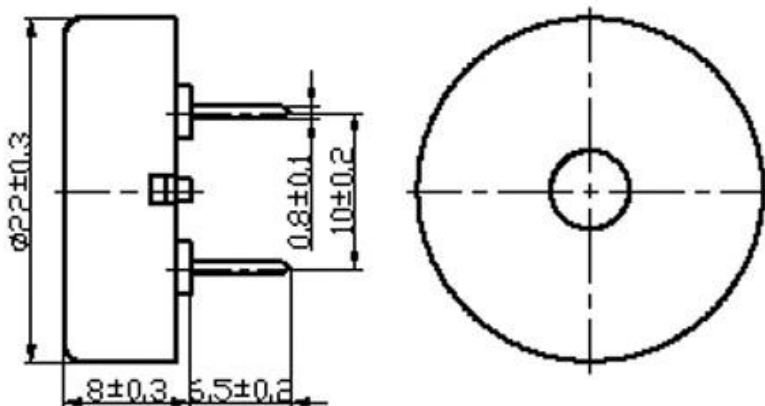


HP2280A SERIES:

Type	UNIT	HP2280A
*Min. Sound Output at 10cm	dB	88
Rated Voltage	Vp-p	12
Max. Voltage	Vp-p	30
Resonant Frequency	Hz	4000±500
*Max. Current Consumption	mA	3
Capacitance at 1,000HZ	pF	19000±30%
Case Material		MPPO
Operating Temperature	°C	-20~+80
Storage Temperature	°C	-30~+105
Weight	g	2.5

Value applying at rated voltage

DIMENSIONS Unit:mm Tolerance:±0.5



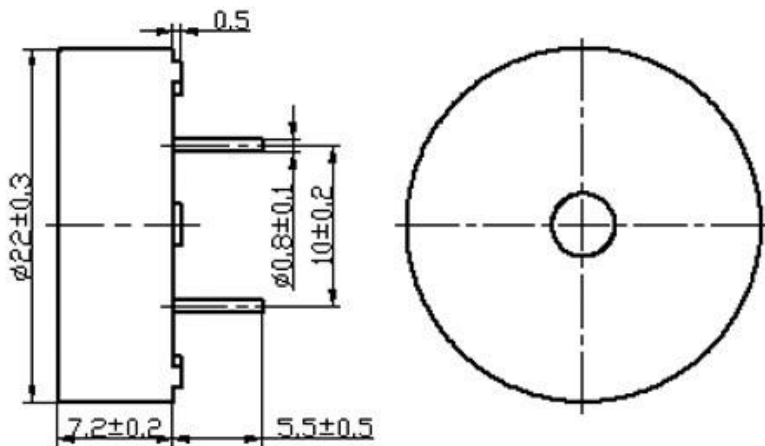


HP2280B SERIES:

Type	UNIT	HP2280B
*Min. Sound Output at 10cm	dB	88
Rated Voltage	Vp-p	12
Max. Voltage	Vp-p	30
Resonant Frequency	Hz	4000±500
*Max. Current Consumption	mA	3
Capacitance at 1,000HZ	pF	19000±30%
Case Material		MPPO
Operating Temperature	°C	-20~+80
Storage Temperature	°C	-30~+105
Weight	g	2.5

Value applying at rated voltage

DIMENSIONS Unit:mm Tolerance:±0.5



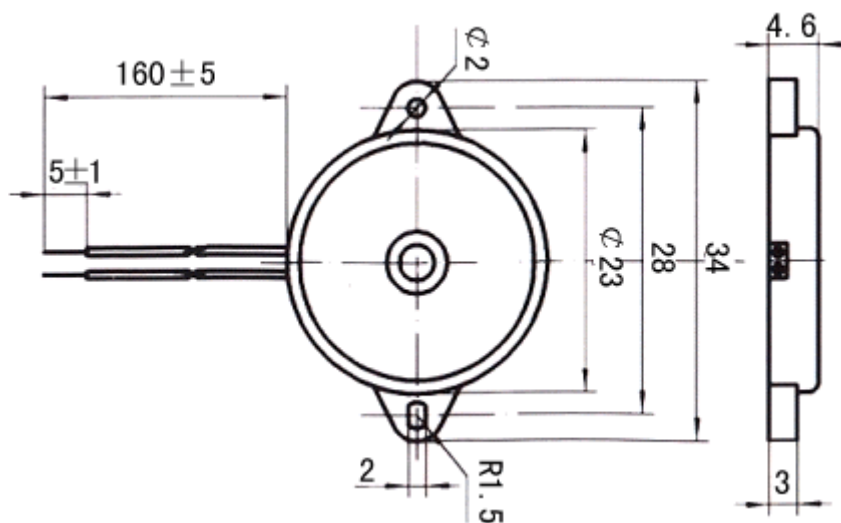


HP2450W SERIES:

Type	UNIT	HP2450W
*Min. Sound Output at 10cm	dB	85
Rated Voltage	Vp-p	10
Operating Voltage	Vp-p	1~30
Resonant Frequency	Hz	4000±500
*Max. Current Consumption	mA	3
Capacitance at 1,000HZ	pF	15000±30%
Operating Temperature	°C	-20~+60
Storage Temperature	°C	-30~+70
Weight	g	2.5

Value applying at rated voltage

DIMENSIONS Unit:mm Tolerance:±0.5



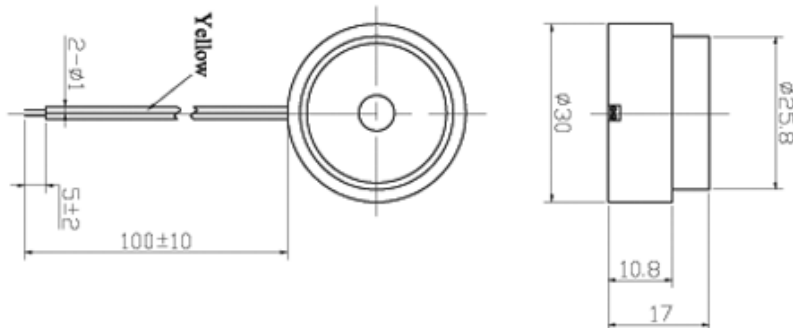


HP3017W SERIES:

Type	UNIT	HP3017W
*Min. Sound Output at 10cm	dB	90
Rated Voltage	Vp-p	9
Operating Voltage	Vp-p	3~28
Resonant Frequency	Hz	3400±500
*Max. Current Consumption	mA	5.0
Operating Temperature	°C	-20~+70
Storage Temperature	°C	-30~+80
Weight	g	10

Value applying at rated voltage

DIMENSIONS Unit:mm Tolerance:±0.5



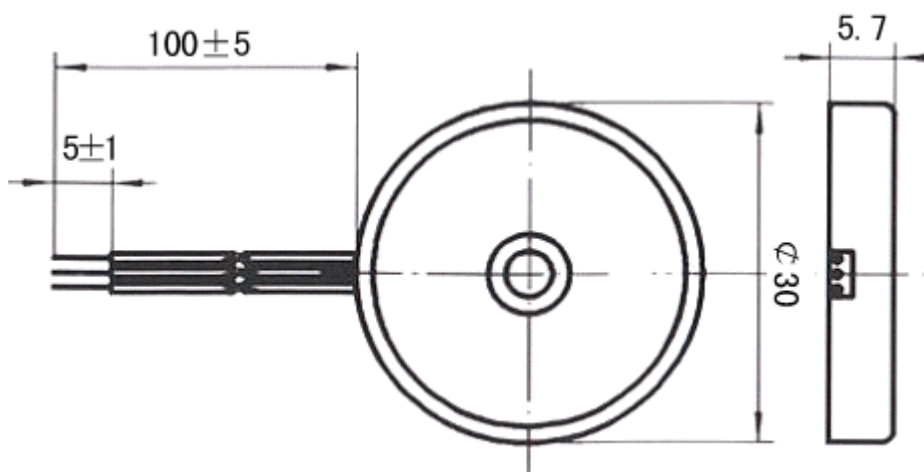


HP3055DW SERIES:

Type	UNIT	HP3055DW
*Min. Sound Output at 10cm	dB	90
Rated Voltage	Vp-p	12
Operating Voltage	Vp-p	1~30
Resonant Frequency	Hz	3500±500
*Max. Current Consumption	mA	3
Capacitance at 1,000HZ	pF	20000±30%
Operating Temperature	°C	-20~+70
Storage Temperature	°C	-30~+80
Weight	g	3.5

Value applying at rated voltage

DIMENSIONS Unit:mm Tolerance:±0.5



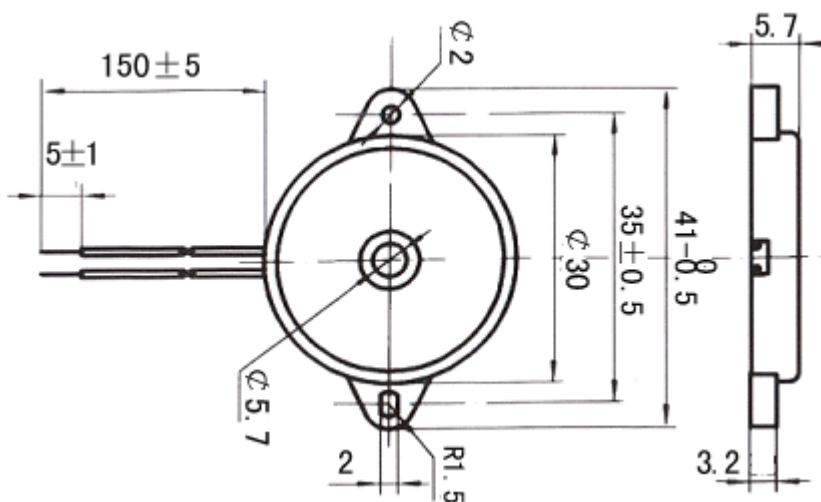


HP3055W SERIES:

Type	UNIT	HP3055AW	HP3055BW
*Min. Sound Output at 10cm	dB	85	88
Rated Voltage	Vp-p	12	9
Operating Voltage	Vp-p	1~30	1~30
Resonant Frequency	Hz	1300±500	3500±500
*Max. Current Consumption	mA	3.5	3
Capacitance at 1,000HZ	pF	45000±30%	20000±30%
Operating Temperature	°C	-20~+70	
Storage Temperature	°C	-30~+80	
Weight	g	3.5	

Value applying at rated voltage

DIMENSIONS Unit:mm Tolerance:±0.5



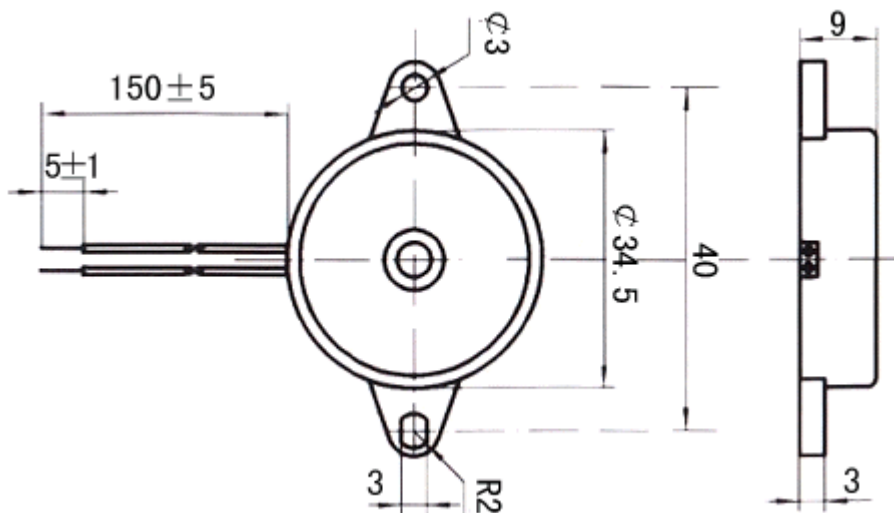


HP3590W SERIES:

Type	UNIT	HP3590W
*Min. Sound Output at 10cm	dB	85
Rated Voltage	Vp-p	9
Operating Voltage	Vp-p	1~30
Resonant Frequency	Hz	1100±500
*Max. Current Consumption	mA	3
Capacitance at 1,000HZ	pF	45000±30%
Operating Temperature	°C	-20~+70
Storage Temperature	°C	-30~+80
Weight	g	5

Value applying at rated voltage

DIMENSIONS Unit:mm Tolerance:±0.5



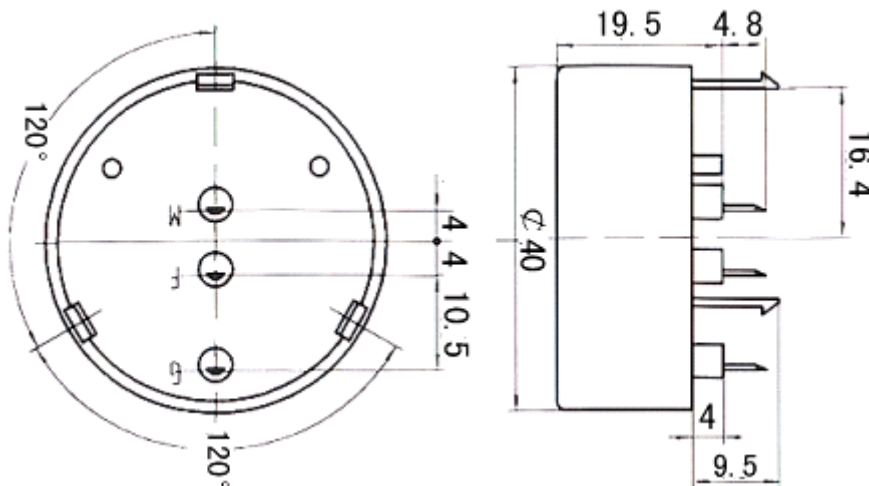


HP4016A SERIES:

Type	UNIT	HP4016A
*Min. Sound Output at 10cm	dB	95
Rated Voltage	Vp-p	9
Operating Voltage	Vp-p	6~12
Resonant Frequency	Hz	3400±500
*Max. Current Consumption	mA	15
Capacitance at 1,000HZ	pF	15000±30%
Operating Temperature	°C	-20~+70
Storage Temperature	°C	-30~+80
Weight	g	12

* Value applying at rated voltage

DIMENSIONS Unit:mm Tolerance:±0.5



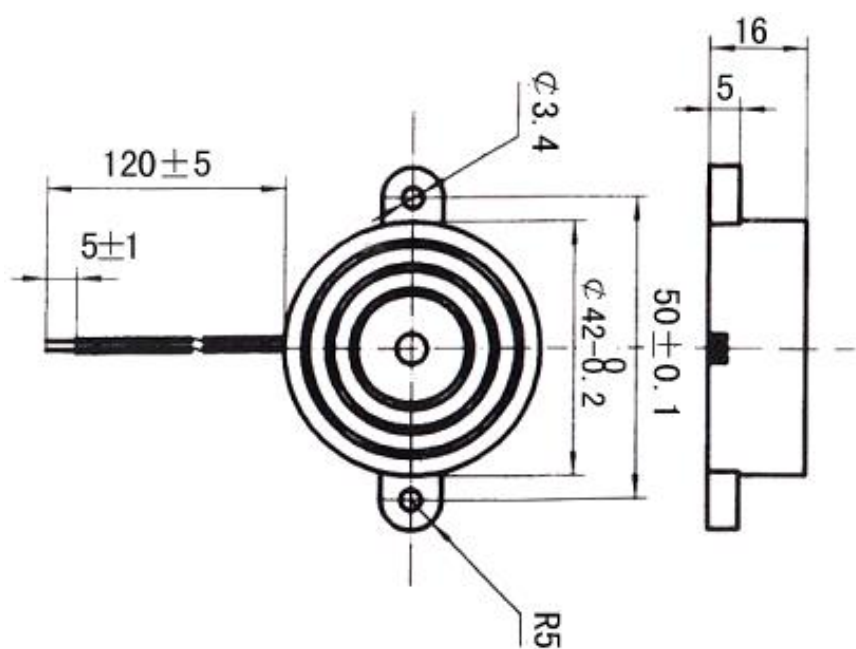


HP4216AW SERIES:

Type	UNIT	HP4216AW
*Min. Sound Output at 10cm	dB	85
Rated Voltage	Vp-p	12
Operating Voltage	Vp-p	3~30
Resonant Frequency	Hz	2800±500
*Max. Current Consumption	mA	3.5
Operating Temperature	°C	-20~+70
Storage Temperature	°C	-30~+80
Weight	g	10

Value applying at rated voltage

DIMENSIONS Unit:mm Tolerance:±0.5



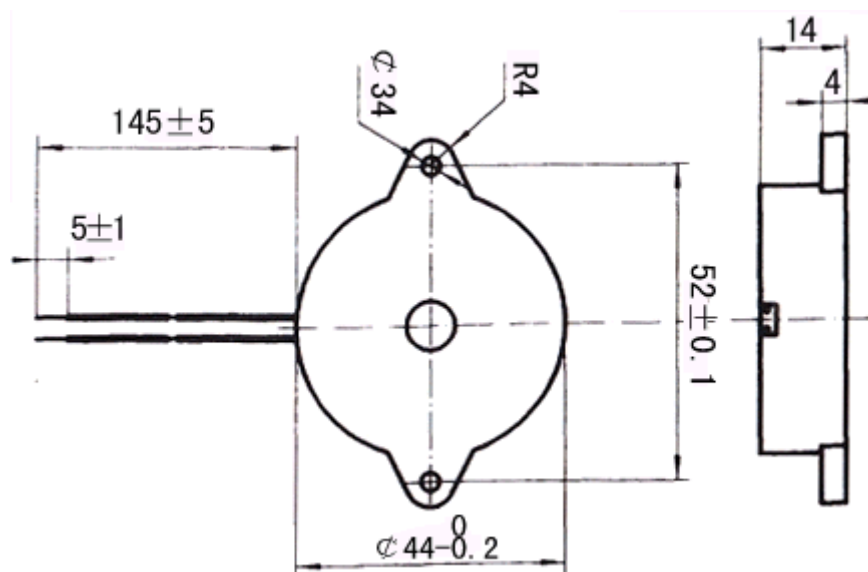


HP4414W SERIES:

Type	UNIT	HP4414W
*Min. Sound Output at 10cm	dB	90
Rated Voltage	Vp-p	12
Operating Voltage	Vp-p	3~30
Resonant Frequency	Hz	800±500
*Max. Current Consumption	mA	3.5
Operating Temperature	°C	-20~+70
Storage Temperature	°C	-30~+80
Weight	g	10

Value applying at rated voltage

DIMENSIONS Unit:mm Tolerance:±0.5





HP5010W SERIES:

Type	UNIT	HP5010W
*Min. Sound Output at 10cm	dB	80
Rated Voltage	Vp-p	12
Operating Voltage	Vp-p	1~20
Resonant Frequency	Hz	900±500
*Max. Current Consumption	mA	4
Capacitance at 1,000HZ	pF	65000±30%
Operating Temperature	°C	-20~+60
Storage Temperature	°C	-30~+70
Weight	g	12

* Value applying at rated voltage

DIMENSIONS Unit:mm Tolerance:±0.5

