

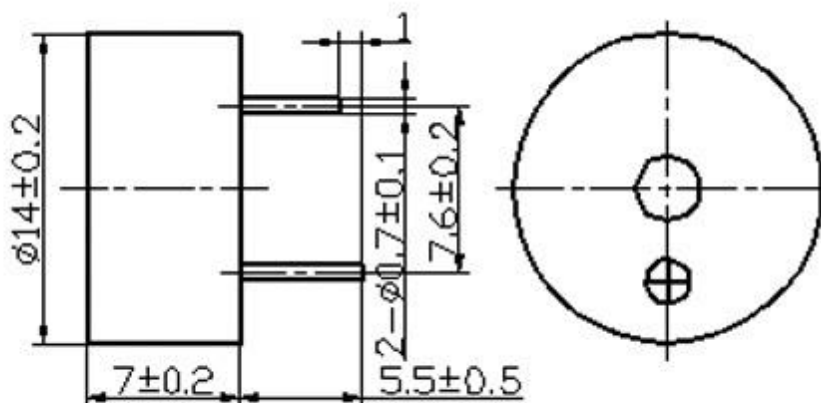


HP1470X SERIES:

Type	UNIT	HP147005X	HP147012X
*Min. Sound Output at 10cm	dB	80	85
Rated Voltage	VDC	5	12
Operating Voltage	VDC	3~9	3~16
Resonant Frequency	Hz	4000±500	4000±500
*Max. Current Consumption	mA	8	8
Tone Nature		Continuous	
Operating Temperature	°C	-20~+70	
Storage Temperature	°C	-30~+80	
Weight	g	1	

Value applying rated voltage (DC)

DIMENSIONS Unit:mm Tolerance:±0.5



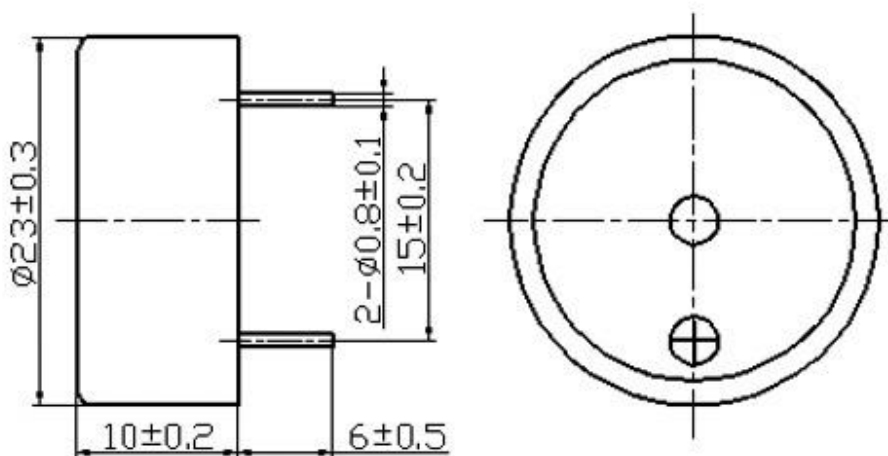


HP2310X SERIES:

Type	UNIT	HP2310AX	HP2310BX
*Min. Sound Output at 10cm	dB	85	85
Rated Voltage	VDC	12	24
Operating Voltage	VDC	3~24	12~36
Resonant Frequency	Hz	3500±500	3500±500
*Max. Current Consumption	mA	12	12
Tone Nature		Continuous	
Operating Temperature	°C	-20~+70	
Storage Temperature	°C	-30~+80	
Weight	g	6	

Value applying at rated voltage

DIMENSIONS Unit:mm Tolerance:±0.5



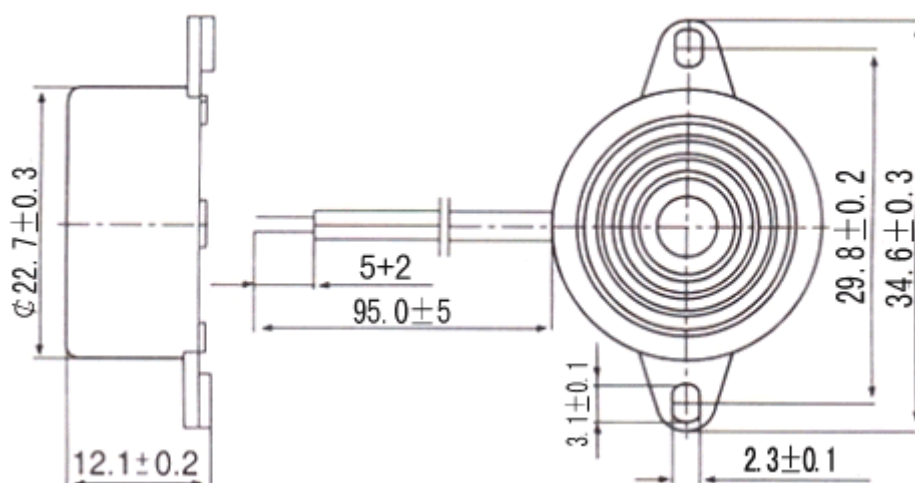


HP2312XW SERIES:

Type	UNIT	HP2312AXW	HP2312BXW
*Min. Sound Output at 10cm	dB	85	90
Rated Voltage	VDC	12	12
Operating Voltage	VDC	3~20	3~20
Resonant Frequency	Hz	3500±500	4500±500
*Max. Current Consumption	mA	8	8
Tone Nature		Continuous	
Operating Temperature	°C	-20~+70	
Storage Temperature	°C	-30~+80	
Weight	g	8	

Value applying at rated voltag

DIMENSIONS Unit:mm Tolerance:±0.5



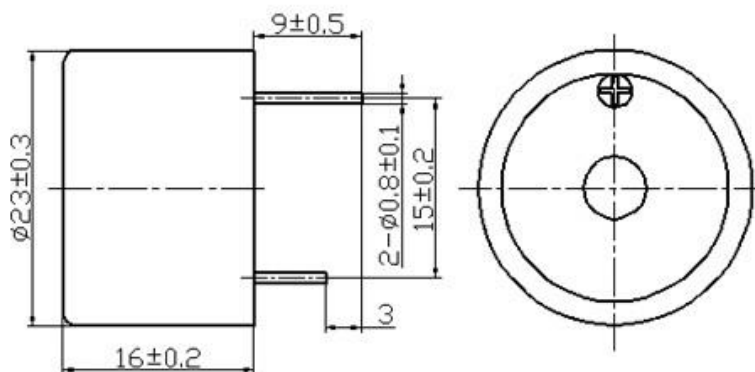


HP2316X SERIES:

Type	UNIT	HP2316AX	HP2316BX
*Min. Sound Output at 10cm	dB	85	85
Rated Voltage	VDC	12	12
Operating Voltage	VDC	3~20	3~20
Resonant Frequency	Hz	2900±500	3400±500
*Max. Current Consumption	mA	15	15
Tone Nature		Continuous	
Operating Temperature	°C	-20~+70	
Storage Temperature	°C	-30~+80	
Weight	g	6	

Value applying at rated voltage

DIMENSIONS Unit:mm Tolerance:±0.5



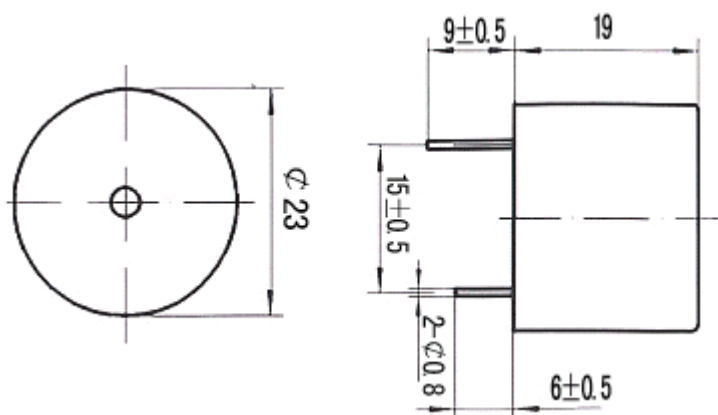


HP2319X SERIES:

Type	UNIT	HP2319X
*Min. Sound Output at 10cm	dB	85
Rated Voltage	VDC	12
Operating Voltage	VDC	3~20
Resonant Frequency	Hz	3400±500
*Max. Current Consumption	mA	15
Tone Nature		Continuous
Operating Temperature	°C	-20~+70
Storage Temperature	°C	-30~+80
Weight	g	6

Value applying at rated voltage

DIMENSIONS Unit:mm Tolerance:±0.5



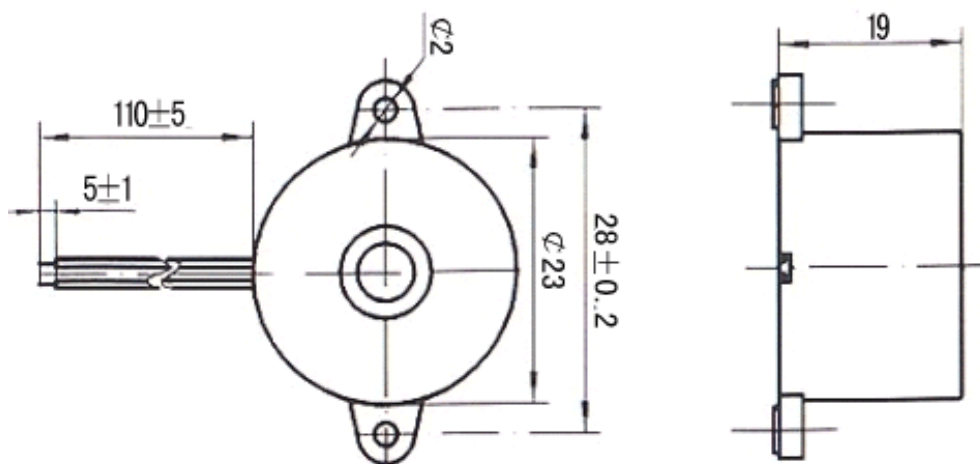


HP2319XW SERIES:

Type	UNIT	HP2319XW
*Min. Sound Output at 10cm	dB	85
Rated Voltage	VDC	12
Operating Voltage	VDC	3~20
Resonant Frequency	Hz	3400±500
*Max. Current Consumption	mA	15
Tone Nature		Continuous
Operating Temperature	°C	-20~+70
Storage Temperature	°C	-30~+80
Weight	g	6

Value applying at rated voltage

DIMENSIONS Unit:mm Tolerance:±0.5



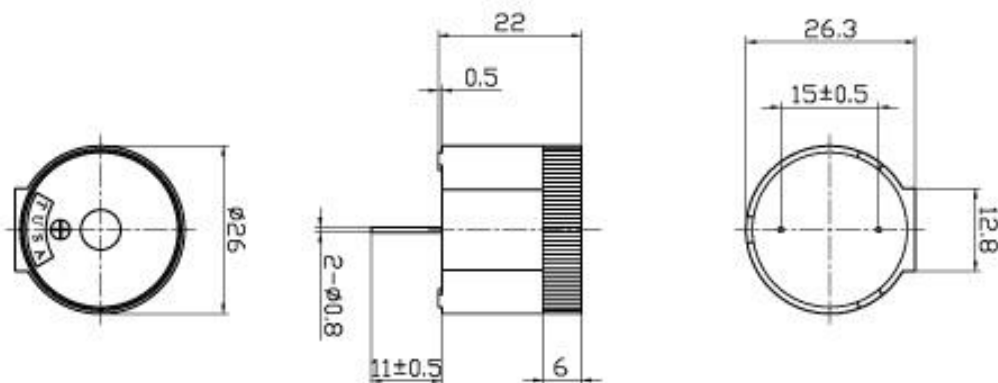


HP2622X SERIES:

Type	UNIT	HP2622X
*Min. Sound Output at 30cm	dB	92
Rated Voltage	VDC	12
Operating Voltage	VDC	6~18
Resonant Frequency	Hz	2700±500
*Max. Current Consumption	mA	25
Tone Nature		Continuous
Operating Temperature	°C	-20~+70
Storage Temperature	°C	-30~+80
Weight	g	13.5

Value applying at rated voltage

DIMENSIONS Unit:mm Tolerance:±0.5



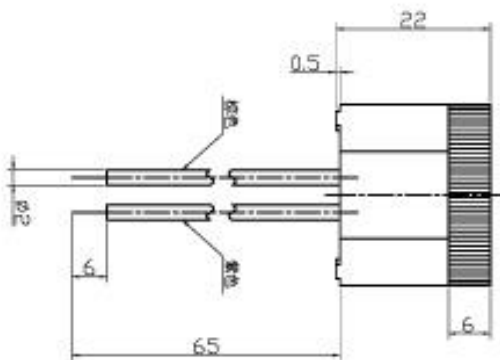
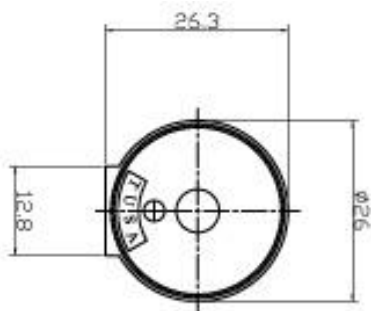


HP2622XW SERIES:

Type	UNIT	HP2622XW
*Min. Sound Output at 30cm	dB	92
Rated Voltage	VDC	12
Operating Voltage	VDC	6~18
Resonant Frequency	Hz	2700±500
*Max. Current Consumption	mA	25
Tone Nature		Continuous
Operating Temperature	°C	-20~+70
Storage Temperature	°C	-30~+80
Weight	g	13.5

Value applying at rated voltage

DIMENSIONS Unit:mm Tolerance:±0.5



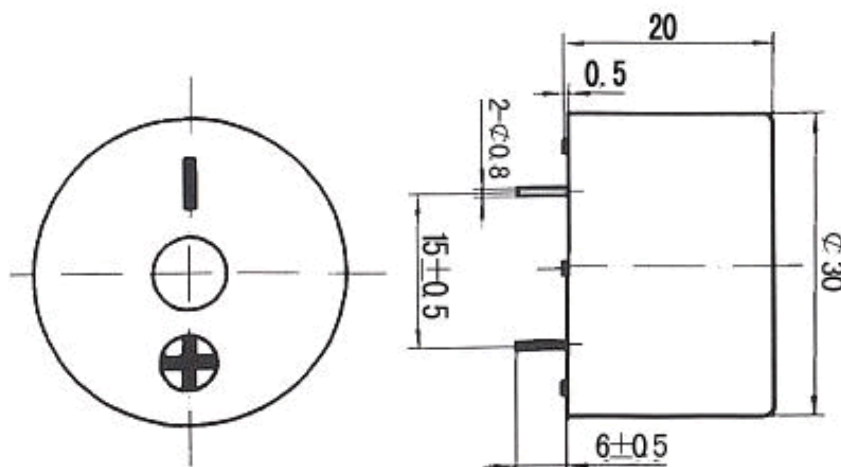


HP3020X SERIES:

Type	UNIT	HP3020AX	HP3020BX
*Min. Sound Output at 10cm	dB	90/10cm	85/30cm
Rated Voltage	VDC	12	12
Operating Voltage	VDC	3~20	3~16
Resonant Frequency	Hz	3500±500	3500±500
*Max. Current Consumption	mA	10	15
Tone Nature		Continuous	Pulse 1-5Hz
Operating Temperature	°C	-20~+70	
Storage Temperature	°C	-30~+80	
Weight	g	10	

* Value applying at rated voltage

DIMENSIONS Unit:mm Tolerance:±0.5



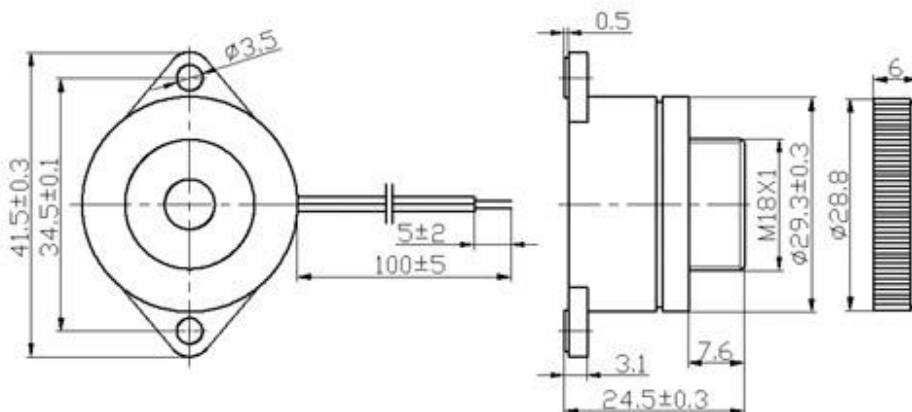


HP3025XW SERIES:

Type	UNIT	HP3025AXW	HP3025BXW
*Min. Sound Output at 10cm	dB	90	90
Rated Voltage	VDC	12	12
Operating Voltage	VDC	3~20	3~20
Resonant Frequency	Hz	3500±500	3500±500
*Max. Current Consumption	mA	10	10
Tone Nature		Continuous	Pulse 1-4Hz
Operating Temperature	°C	-20~+70	
Storage Temperature	°C	-30~+80	
Weight	g	13	

Value applying at rated voltage

DIMENSIONS Unit:mm Tolerance:±0.5



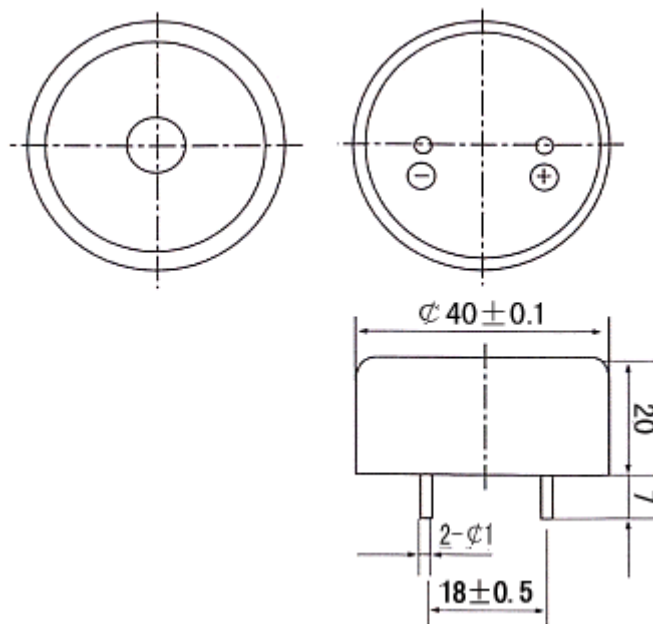


HP4020X SERIES:

Type	UNIT	HP4020X
*Min. Sound Output at 30cm	dB	100
Rated Voltage	VDC	12
Operating Voltage	VDC	3~20
Resonant Frequency	Hz	3200±500
*Max. Current Consumption	mA	70
Tone Nature		Continuous
Operating Temperature	°C	-20~+70
Storage Temperature	°C	-30~+80
Weight	g	13

Value applying at rated voltage

DIMENSIONS Unit:mm Tolerance:±0.5



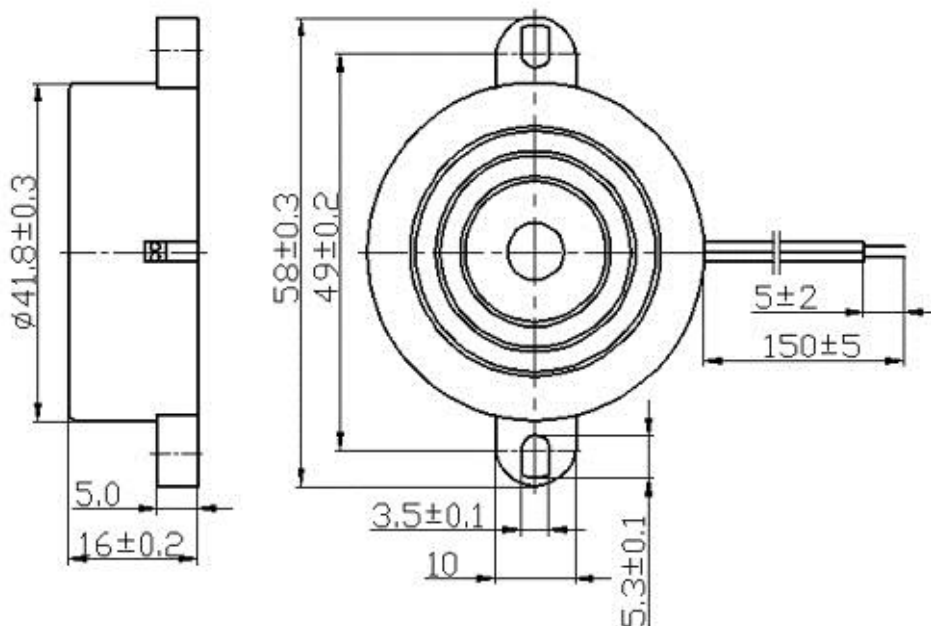


HP4216AXW SERIES:

Type	UNIT	HP4216AXW12	HP4216AXW24
*Min. Sound Output at 10cm	dB	100	105
Rated Voltage	VDC	12	24
Operating Voltage	VDC	3~20	18~30
Resonant Frequency	Hz	2900±500	3100±500
*Max. Current Consumption	mA	15	20
Tone Nature		Continuous	Continuous
Operating Temperature	°C	-20~+70	
Storage Temperature	°C	-30~+80	
Weight	g	13.5	

Value applying at rated voltage

DIMENSIONS Unit:mm Tolerance:±0.5



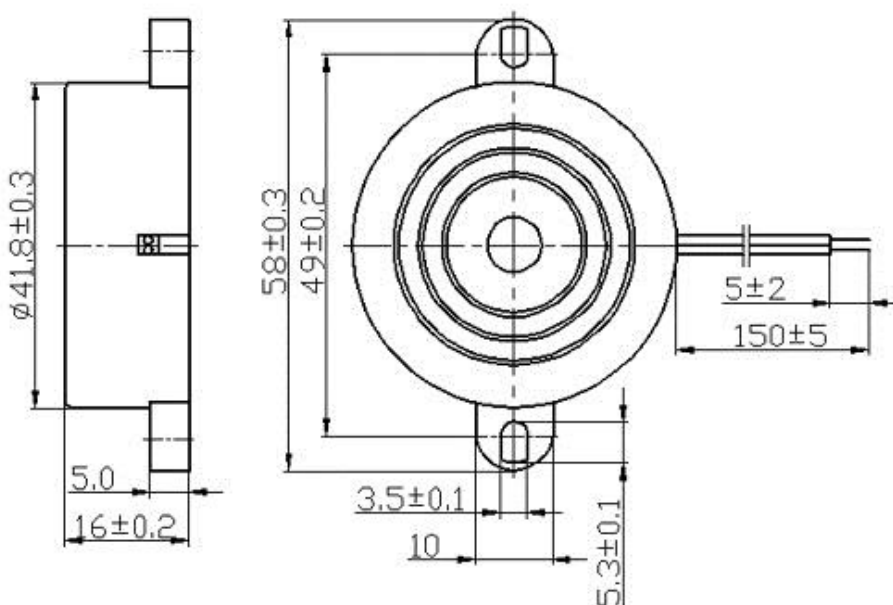


HP4216BXW SERIES:

Type	UNIT	HP4216BXW09	HP4216BXW12
*Min. Sound Output at 10cm	dB	100	85/30cm
Rated Voltage	VDC	9	12
Operating Voltage	VDC	6~12	8~15
Resonant Frequency	Hz	2900±500	3100±500
*Max. Current Consumption	mA	150	150
Tone Nature		Siren	Siren
Operating Temperature	°C	-20~+70	
Storage Temperature	°C	-30~+80	
Weight	g	18	

Value applying at rated voltage

DIMENSIONS Unit:mm Tolerance:±0.5



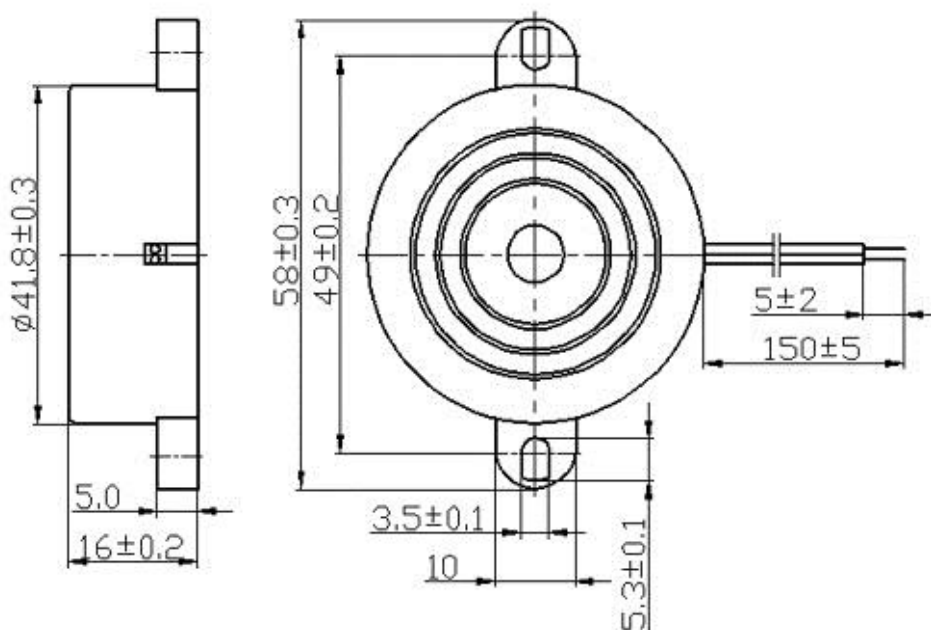


HP42C220XW SERIES:

Type	UNIT	HP42C220XW
*Min. Sound Output at10cm	dB	100
Rated Voltage	VAC	220
Operating Voltage	VAC	50~250
Resonant Frequency	Hz	2900±500
*Max. Current Consumption	mA	150
Tone Nature		Continuous
Operating Temperature	°C	-20~+70
Storage Temperature	°C	-30~+80
Weight	g	18

Value applying at rated voltage

DIMENSIONS Unit:mm Tolerance:±0.5



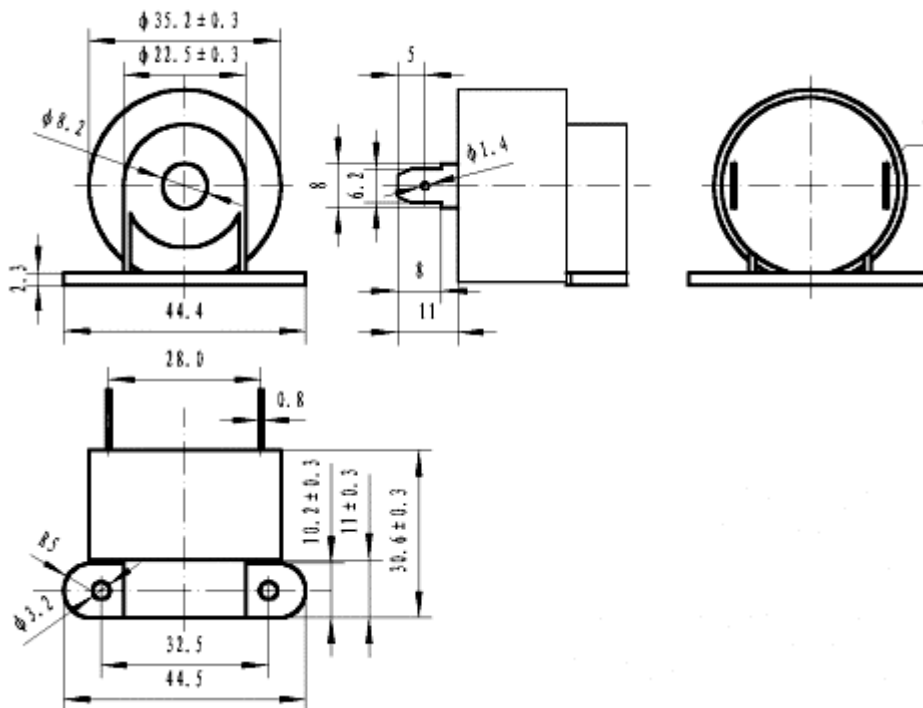


HP3630X SERIES:

Type	UNIT	HP3630X
*Min. Sound Output at 100cm	dB	90
Rated Voltage	VDC	50
Operating Voltage	VDC	10~50
Resonant Frequency	Hz	2700±500
*Max. Current Consumption	mA	20
Tone Nature		Continuous
Operating Temperature	°C	-20~+70
Storage Temperature	°C	-30~+80
Weight	g	26

Value applying at rated voltage

DIMENSIONS Unit:mm Tolerance:±0.5



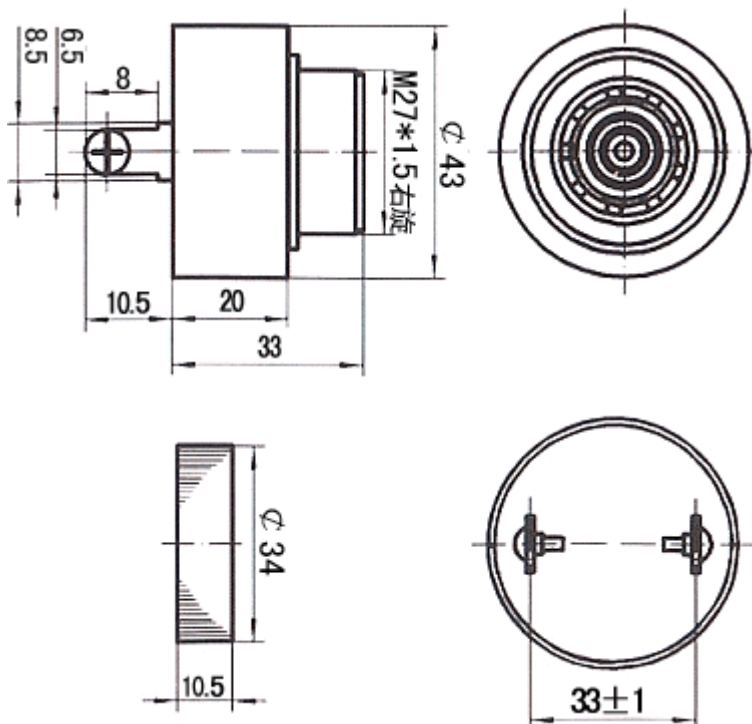


HP4333X SERIES:

Type	UNIT	HP4333AX	HP4333BX
*Min. Sound Output at 10cm	dB	95	95
Rated Voltage	VDC	12	12
Operating Voltage	VDC	6~28	6~28
Resonant Frequency	Hz	2900±500	2900±500
*Max. Current Consumption	mA	20	20
Tone Nature		Continuous	Fast Pulse
Operating Temperature	°C	-20~+70	
Storage Temperature	°C	-30~+80	
Weight	g	35	

Value applying at rated voltage

DIMENSIONS Unit:mm Tolerance:±0.5





HP4526XW SERIES:

Type	UNIT	HP4526XW
*Min. Sound Output at 10cm	dB	100
Rated Voltage	VDC	12
Operating Voltage	VDC	8~15
Resonant Frequency	Hz	3200±500
*Max. Current Consumption	mA	35
Tone Nature		Continuous
Operating Temperature	°C	-20~+70
Storage Temperature	°C	-30~+80
Weight	g	20

Value applying at rated voltage

DIMENSIONS Unit:mm Tolerance:±0.5

