



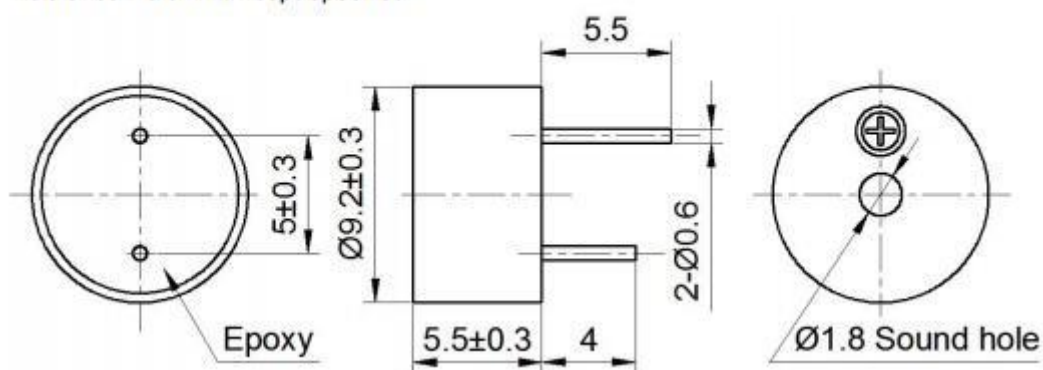
HCM09X SERIES:

Type	HCM0901X	HCM0903X	HCM0905X
Rated Voltage (V)	1.5	3	5
Operating Voltage (V)	1.3~2	2~5	3~7
Rated Current (MA)	< 25	< 20	< 20
Sound Output at 10cm (dB)	> 75	> 75	> 80
Resonant Frequency (Hz)	2500 ±300	2500 ±300	2500 ±300
Response Time (ms)	< 50	< 50	< 50
Operating Temperature (°C)	-10~+50	-25~+70	-25~+70
Storage Temperature (°C)	-15~+60	-30~+80	-30~+80
Weight (g)	1	1	1

Value applying rated voltage (DC)

Dimensions (Unit: mm)

Tolerance: ±0.5mm Except Specified



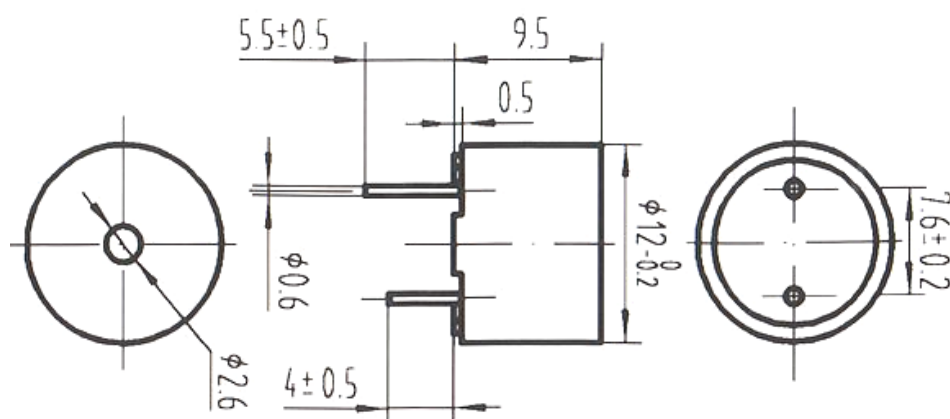


HCM12X SERIES:

Type	HCM1203X	HCM1205X	HCM1206X	HCM1212X
Rated Voltage (V)	3	5	6	12
Operating Voltage (V)	2~5	3~7	4~8	8~15
Rated Current (MA)	< 30	< 30	< 30	< 30
Sound Output at 10cm (dB)	> 80	> 85	> 85	> 85
Resonant Frequency (Hz)	2300 ± 400	2300 ± 300	2300 ± 300	2300 ± 300
Response Time (ms)	< 50	< 50	< 50	< 50
Operating Temperature (°C)	-10~+50	-25~+70	-25~+70	-25~+70
Storage Temperature (°C)	-15~+60	-30~+80	-30~+80	-30~+80
Weight (g)	2	2	2	2

Value applying rated voltage (DC)

DIMENSIONS Unit:mm Tolerance:±0.5



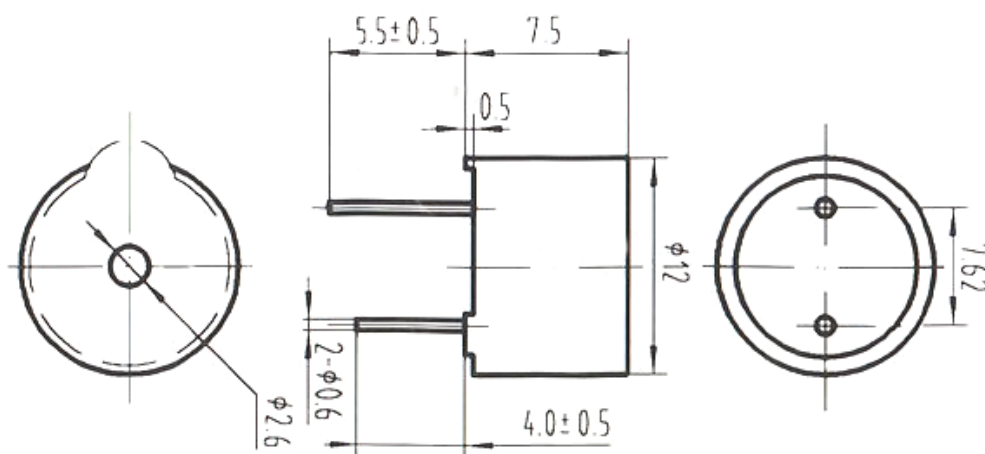


HCM12UX SERIES:

Type	HCM1201UX	HCM1203UX	HCM1205UX	HCM1212UX
Rated Voltage (V)	1.5	3	5	12
Operating Voltage (V)	1.4~2	2~5	4~8	9~15
Rated Current (mA)	< 30	< 30	< 30	< 30
Sound Output at 10cm (dB)	> 75	> 80	> 85	> 85
Resonant Frequency (Hz)	2700 ± 400	2700 ± 400	2700 ± 300	2700 ± 300
Response Time (ms)	< 50	< 50	< 50	< 50
Operating Temperature (°C)	-10~+50	-10~+50	-25~+70	-25~+70
Storage Temperature (°C)	-15~+60	-15~+60	-30~+80	-30~+80
Weight (g)	2	2	2	2

Value applying rated voltage (DC)

DIMENSIONS Unit:mm Tolerance:±0.5





HCM16X SERIES:

Type	HCM1606X	HCM1612X
Rated Voltage (V)	6	12
Operating Voltage (V)	4~8	8~15
Rated Current (MA)	< 30	< 30
Sound Output at 10cm (dB)	> 85	> 85
Resonant Frequency (Hz)	2300 ±300	2300 ±300
Response Time (ms)	< 50	< 50
Operating Temperature (°C)	-25~+70	-25~+70
Storage Temperature (°C)	-30~+80	-30~+80
Weight (g)	7	7

Value applying rated voltage (DC)

DIMENSIONS Unit:mm Tolerance:±0.5

