

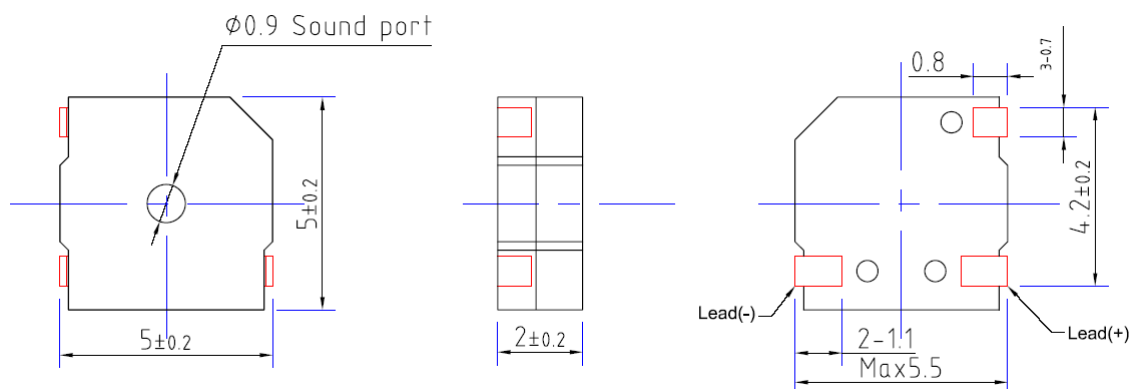


### HCT5020A SERIES:

Type	HCT5020A03
Rated Voltage (V)	3
Operating Voltage (V)	2~4
Rated Current (MA)	< 110
Coil Resistance (ohm)	12 ± 3
Sound Output at 10cm (dB)	> 75
Resonant Frequency (Hz)	4000
Operating Temperature (°C)	-20~+70
Storage Temperature (°C)	-30~+85
Dimension	5.0*5.0*H2.0
Weight (g)	0.8

Value applying rated voltage (Resonant frequency, 1/2 duty, square wave)

### Dimensions (Unit:mm)



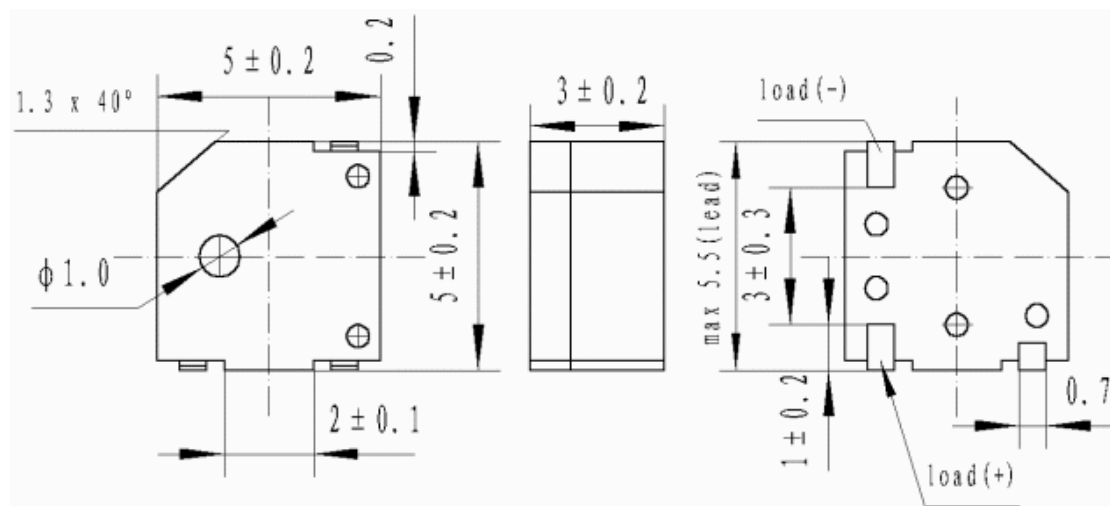


### HCT5030F SERIES:

Type	HCT5030F03
Rated Voltage (V)	3
Operating Voltage (V)	2~4
Rated Current (MA)	< 110
Coil Resistance (ohm)	12 ± 3
Sound Output at 10cm (dB)	> 75
Resonant Frequency (Hz)	4000
Operating Temperature (°C)	-20~+70
Storage Temperature (°C)	-30~+85
Dimension	5.0*5.0*H3
Weight (g)	0.8

Value applying rated voltage (Resonant frequency, 1/2duty, square wave)

### Dimensions (Unit: mm)



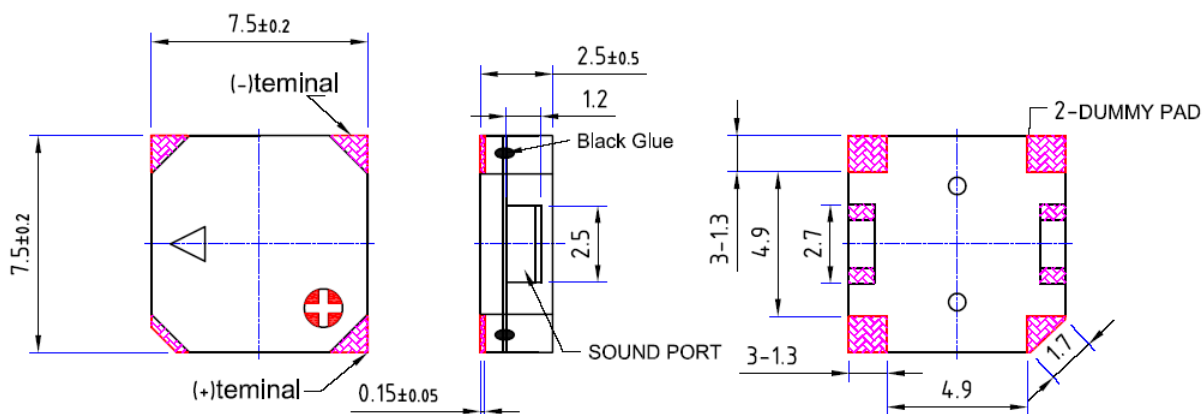


**HCT7525B SERIES:**

Type	HCT7525B03
Rated Voltage (V)	3
Operating Voltage (V)	2~4
Rated Current (MA)	< 100
Coil Resistance (ohm)	16 ± 3
Sound Output at 10cm (dB)	> 85
Resonant Frequency (Hz)	2700
Operating Temperature (°C)	-20~+70
Storage Temperature (°C)	-30~+85
Dimension	7.5*7.5*H2.5
Weight (g)	0.8

Value applying rated voltage (Resonant frequency, 1/2duty, square wave)

**Dimensions (Unit:mm)**



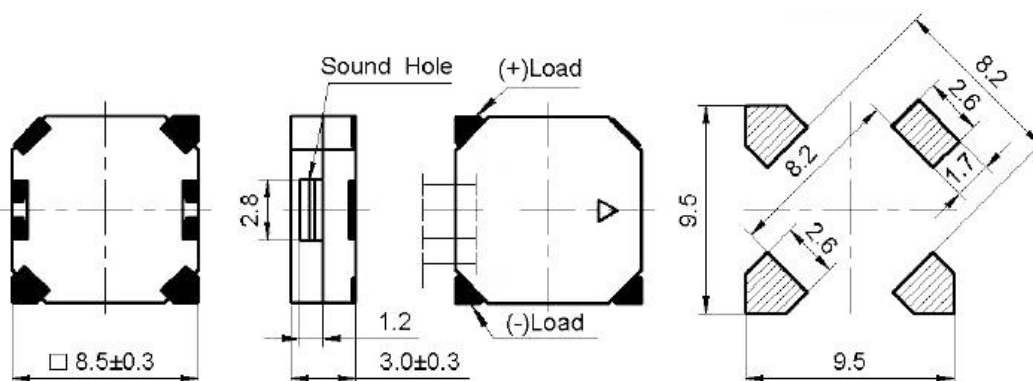


### HCT8530B SERIES:

Type	HCT8530B03
Rated Voltage (V)	3
Operating Voltage (V)	2~4
Rated Current (MA)	< 100
Coil Resistance (ohm)	16 ± 3
Sound Output at 10cm (dB)	> 85
Resonant Frequency (Hz)	2700
Operating Temperature (°C)	-20~+70
Storage Temperature (°C)	-30~+85
Dimension	8.5*8.5*H4
Weight (g)	0.8

Value applying rated voltage (Resonant frequency, 1/2 duty, square wave)

### Dimensions (Unit:mm)



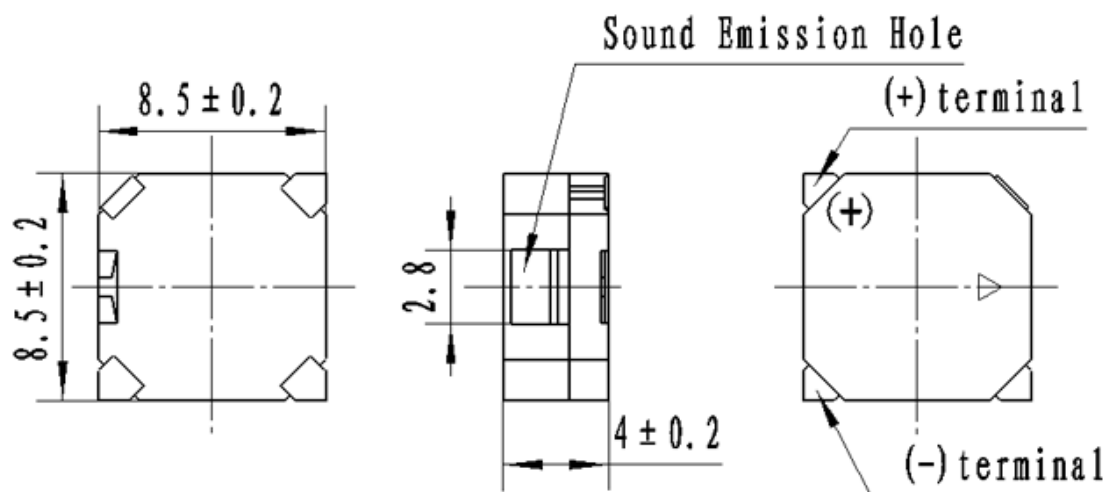


**HCT8540B SERIES:**

Type	HCT8540B03
Rated Voltage (V)	3
Operating Voltage (V)	2~4
Rated Current (MA)	< 100
Coil Resistance (ohm)	16 ± 3
Sound Output at 10cm (dB)	> 85
Resonant Frequency (Hz)	2700
Operating Temperature (°C)	-20~+70
Storage Temperature (°C)	-30~+85
Dimension	8.5*8.5*H4
Weight (g)	0.8

Value applying rated voltage (Resonant frequency, 1/2duty, square wave)

**Dimensions (Unit:mm)**



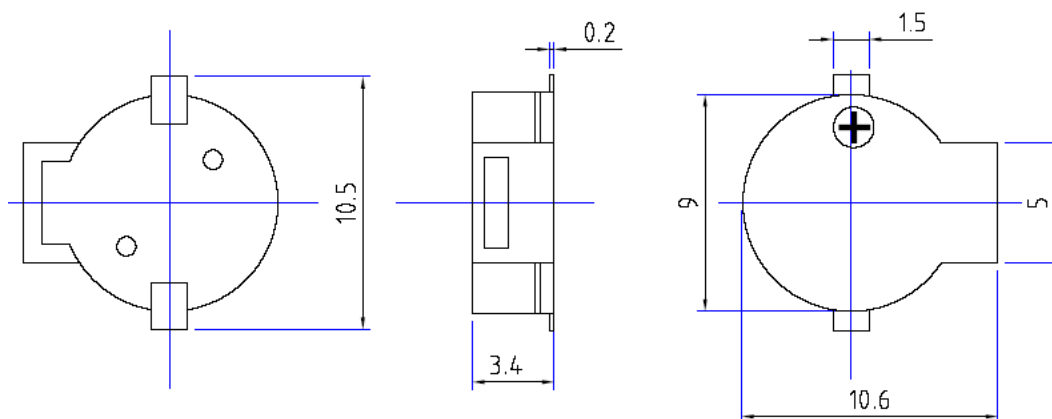


### HCT9032B SERIES:

Type	HCT9032B03
Rated Voltage (V)	3
Operating Voltage (V)	2~5
Rated Current (MA)	< 100
Coil Resistance (ohm)	16 ± 3
Sound Output at 10cm (dB)	> 85
Resonant Frequency (Hz)	2700
Operating Temperature (°C)	-20~+70
Storage Temperature (°C)	-30~+85
Dimension	10.5*Φ9*H3.2
Weight (g)	0.8

Value applying rated voltage (Resonant frequency, 1/2duty, square wave)

### Dimensions (Unit:mm)



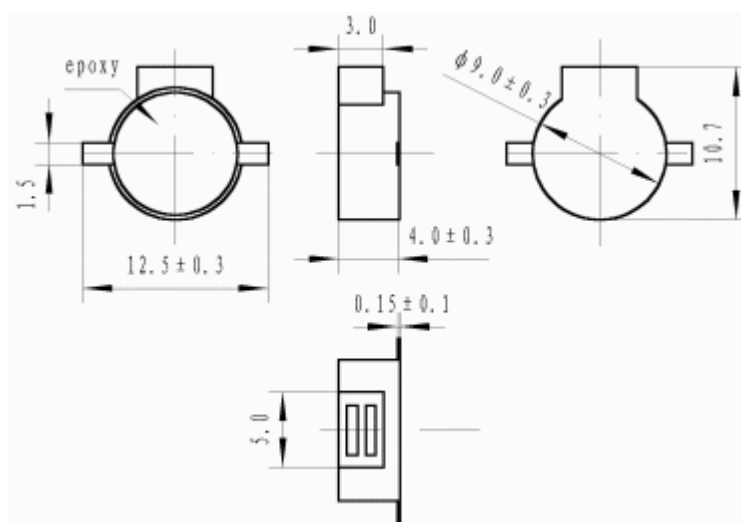


### HCT9040B SERIES:

Type	HCT9040B03
Rated Voltage (V)	3
Operating Voltage (V)	2~5
Rated Current (MA)	< 100
Coil Resistance (ohm)	16 ± 3
Sound Output at 10cm (dB)	> 85
Resonant Frequency (Hz)	2700
Operating Temperature (°C)	-20~+70
Storage Temperature (°C)	-30~+85
Dimension	10.5*Φ9*H4
Weight (g)	0.8

Value applying rated voltage (Resonant frequency, 1/2duty, square wave)

### Dimensions (Unit:mm)



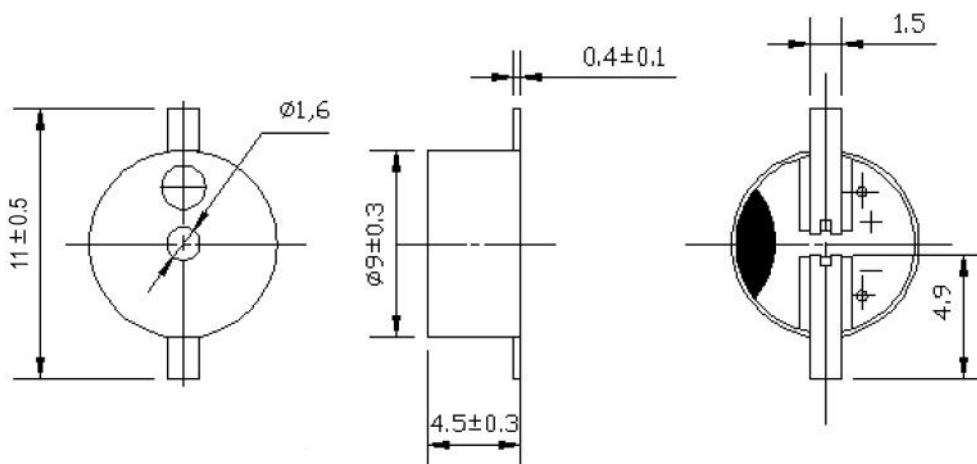


### HCT9045A SERIES:

Type	HCT9045A05
Rated Voltage (V)	5
Operating Voltage (V)	4~7
Rated Current (MA)	< 80
Coil Resistance (ohm)	25 ± 5
Sound Output at 10cm (dB)	> 85
Resonant Frequency (Hz)	2730
Operating Temperature (°C)	-20~+70
Storage Temperature (°C)	-30~+85
Dimension	*Φ9*H4.5
Weight (g)	0.8

Value applying rated voltage (Resonant frequency, 1/2duty, square wave)

### Dimensions (Unit:mm)





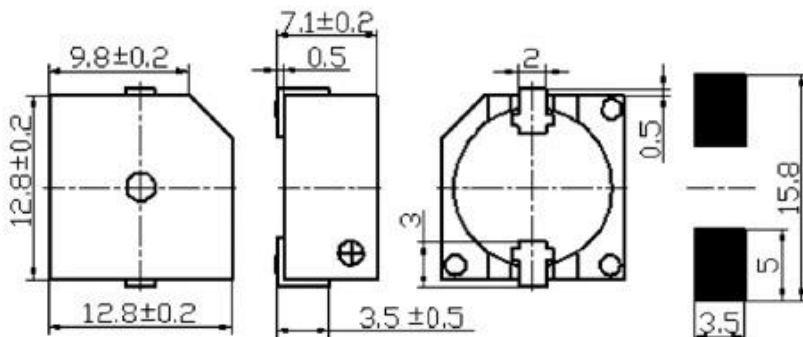


### HCT1307B SERIES:

Type	HCT1307B01	HCT1307B05	HCT1307B12
Rated Voltage (V)	1.5	5	12
Operating Voltage (V)	1~3	4~8	8~16
Rated Current (MA)	< 30	< 40	< 40
Coil Resistance (ohm)	16 ± 3	45 ± 5	140 ± 14
Coil Impedance (ohm)	40	80	240
Sound Output at 10cm (dB)	> 80	> 85	> 85
Resonant Frequency (Hz)	2400	2400	2400
Operating Temperature (°C)	-25 ~ +70	-25 ~ +70	-25 ~ +70
Storage Temperature (°C)	-30 ~ +85	-30 ~ +85	-30 ~ +85
Weight (g)	2	2	2
Dimension	12.8*12.8*H7.1		

Value applying rated voltage (2400Hz, 1/2duty, square wave)

### Dimensions (Unit:mm)





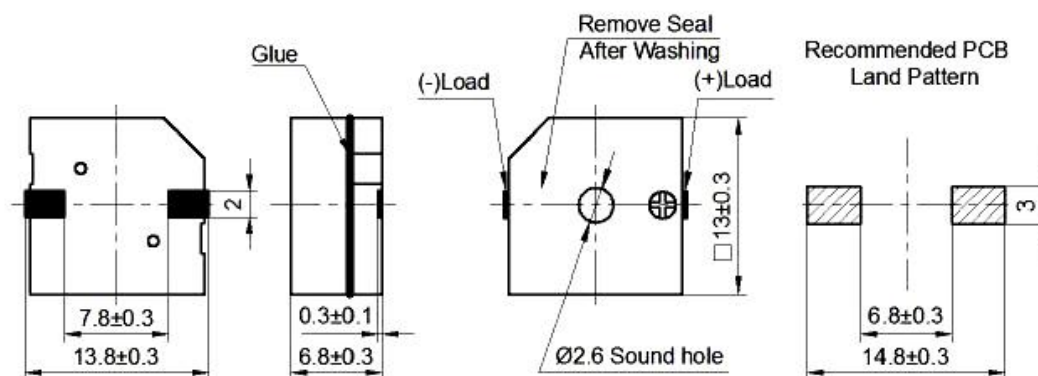
### HCT1307BN SERIES:

Type	HCT1307BN01	HCT1307BN05	HCT1307BN12
Rated Voltage (V)	1.5	5	12
Operating Voltage (V)	1~3	4~8	8~16
Rated Current (MA)	< 30	< 40	< 40
Coil Resistance (ohm)	16 ± 3	45 ± 5	140 ± 14
Coil Impedance (ohm)	40	80	240
Sound Output at 10cm (dB)	> 80	> 85	> 85
Resonant Frequency (Hz)	2400	2400	2400
Operating Temperature (°C)	-25 ~ +70	-25 ~ +70	-25 ~ +70
Storage Temperature (°C)	-30 ~ +85	-30 ~ +85	-30 ~ +85
Weight (g)	2	2	2
Dimension	12.8*12.8*H7.1		

Value applying rated voltage (2400Hz, 1/2duty, square wave)

### Dimensions (Unit: mm)

Tolerance: ±0.5mm Except Specified



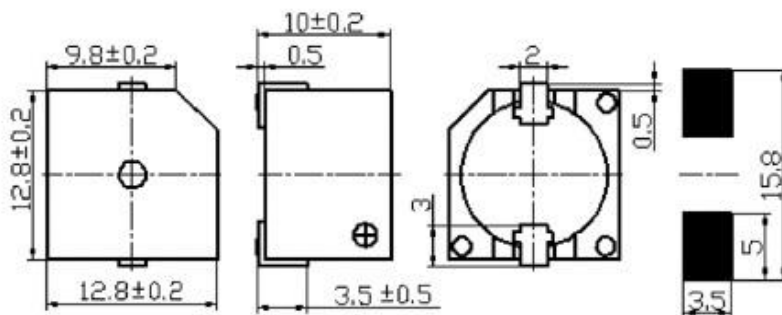


### HCT1310A SERIES:

Type	HCT1310A01	HCT1310A05	HCT1310A12
Rated Voltage (V)	1.5	5	12
Operating Voltage (V)	1~3	4~8	8~16
Rated Current (MA)	<30	< 40	< 40
Coil Resistance (ohm)	16 ± 3	45 ± 5	140 ± 14
Coil Impedance (ohm)	40	80	240
Sound Output at 10cm (dB)	> 80	> 85	> 85
Resonant Frequency (Hz)	2400	2400	2400
Operating Temperature (°C)	-25 ~ +70	-25 ~ +70	-25 ~ +70
Storage Temperature (°C)	-30 ~ +85	-30 ~ +85	-30 ~ +85
Dimension	12.8*12.8*H10.0		
Weight (g)	2		

Value applying rated voltage (2400Hz, 1/2duty, square wave)

### Dimensions (Unit:mm)



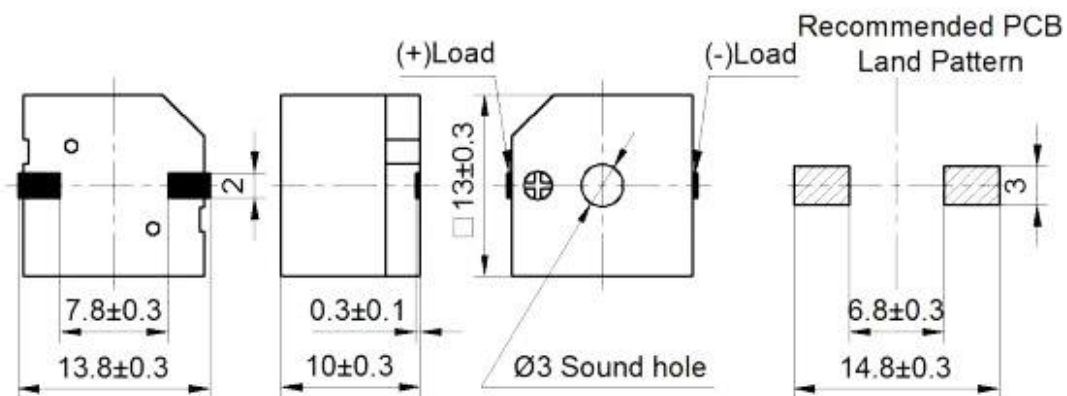


### HCT1310AN SERIES:

Type	HCT1310AN01	HCT1310AN05	HCT1310AN12
Rated Voltage (V)	1.5	5	12
Operating Voltage (V)	1~3	4~8	8~16
Rated Current (MA)	< 30	< 40	< 40
Coil Resistance (ohm)	16 ± 3	45 ± 5	140 ± 14
Coil Impedance (ohm)	40	80	240
Sound Output at 10cm (dB)	> 80	> 85	> 85
Resonant Frequency (Hz)	2400	2400	2400
Operating Temperature (°C)	-25 ~ +70	-25 ~ +70	-25 ~ +70
Storage Temperature (°C)	-30 ~ +85	-30 ~ +85	-30 ~ +85
Weight (g)	2	2	2
Dimension	12.8*12.8*H10		

Value applying rated voltage (2400Hz, 1/2duty, square wave)

Dimensions (Unit:mm)



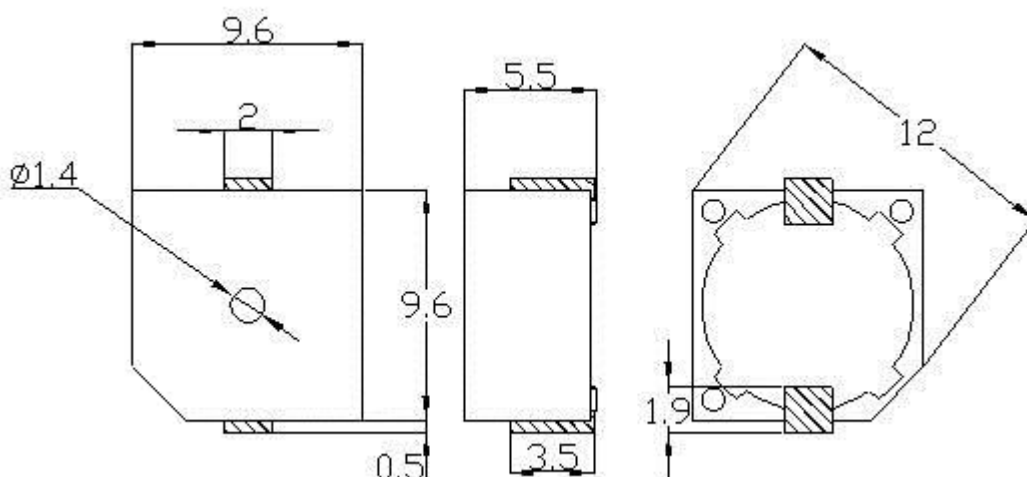


### HCT9650X SERIES:

Type	UNIT	HCT9650X05
*Min. Sound Output at 10cm	dB	85
Rated Voltage	V DC	5
Operating Voltage	VDC	4~7
Resonant Frequency	Hz	2700±300
.Rated Consumption	mA	30
Operating Temperature	°C	-20~+70
Storage Temperature	°C	-30~+80
Dimension	9.6*9.6*H5.5	
Weight	g	2

\*Value applying rated voltage (DC)

Dimensions (Unit:mm)



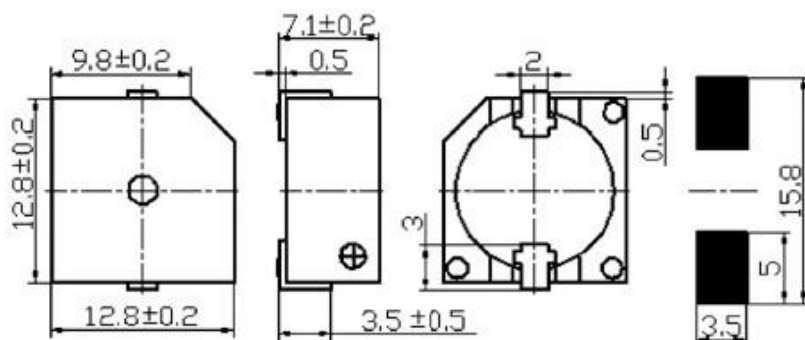


### HCT1307X SERIES:

Type	HCT1307X01	HCT1307X05	HCT1307X12
Rated Voltage (V)	1.5	5	12
Operating Voltage (V)	1.2~3	3~7	8~15
Rated Current (MA)	< 30	< 30	< 30
Sound Output at 10cm (dB)	> 80	> 85	> 85
Resonant Frequency (Hz)	2400 ± 400	2300 ± 300	2300 ± 300
Response Time (ms)	< 50	< 50	< 50
Operating Temperature (°C)	-10~+50	-25~+70	-25~+70
Storage Temperature (°C)	-15~+60	-30~+80	-30~+80
Weight (g)	2		
Dimension	12.8*12.8*H7.1		

Value applying rated voltage (DC)

Dimensions (Unit:mm)





### HCT1310X SERIES:

Type	HCT1310X01	HCT1310X05	HCT1310X12
Rated Voltage (V)	1.5	5	12
Operating Voltage (V)	1.2~3	3~7	8~15
Rated Current (mA)	< 30	< 30	< 30
Sound Output at 10cm (dB)	> 80	> 85	> 85
Resonant Frequency (Hz)	2400 ± 400	2300 ± 300	2300 ± 300
Response Time (ms)	< 50	< 50	< 50
Operating Temperature (°C)	-10~+50	-25~+70	-25~+70
Storage Temperature (°C)	-15~+60	-30~+80	-30~+80
Weight (g)	2		
Dimension	12.8*12.8*H10		

Value applying rated voltage (DC)

Dimensions (Unit:mm)

