

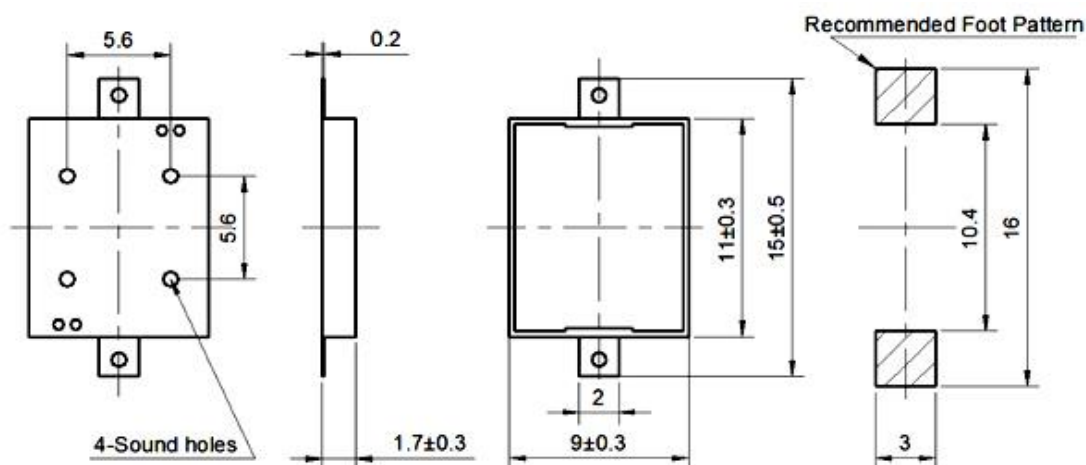


#### HPT1109F SERIES:

Type	UNIT	HPT1109F
*Min. Sound Output at 10cm	dB	70
Rated Voltage	Vp-p	5
Operating Voltage	Vp-p	2~10
Resonant Frequency	Hz	4100±500
.Rated Consumption	mA	5
Capacitance at 120 HZ	pF	15000±30%
Operating Temperature	°C	-20~+105
Storage Temperature	°C	-30~+110
Dimension	11*19*H1.8	
Weight	g	0.5

Value applying rated voltage (Resonant frequency, 1/2duty, square wave)

#### Dimensions (Unit:mm)



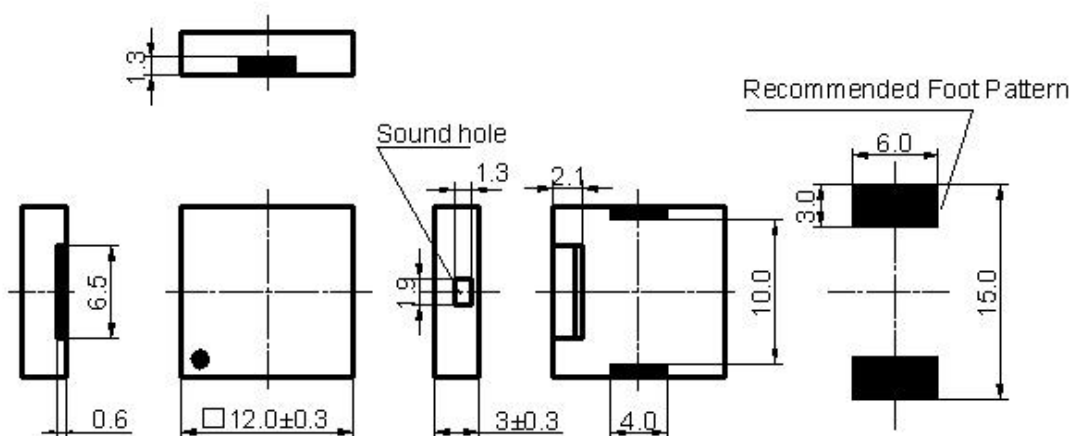


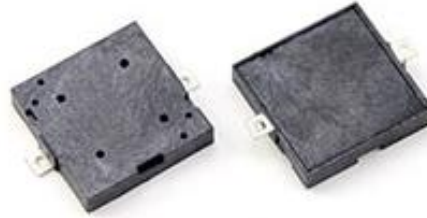
#### HPT12030B SERIES:

Type	UNIT	HPT12030B
*Min. Sound Output at 10cm	dB	75
Rated Voltage	Vp-p	5
Operating Voltage	Vp-p	1~25
Resonant Frequency	Hz	4000±500
.Rated Consumption	mA	5
Capacitance at 120 HZ	pF	15000±30%
Operating Temperature	°C	-20~+105
Storage Temperature	°C	-30~+110
Dimension	12*12*H3	
Weight	g	0.3

Value applying rated voltage (Resonant frequency, 1/2duty, square wave)

#### Dimensions (Unit:mm)



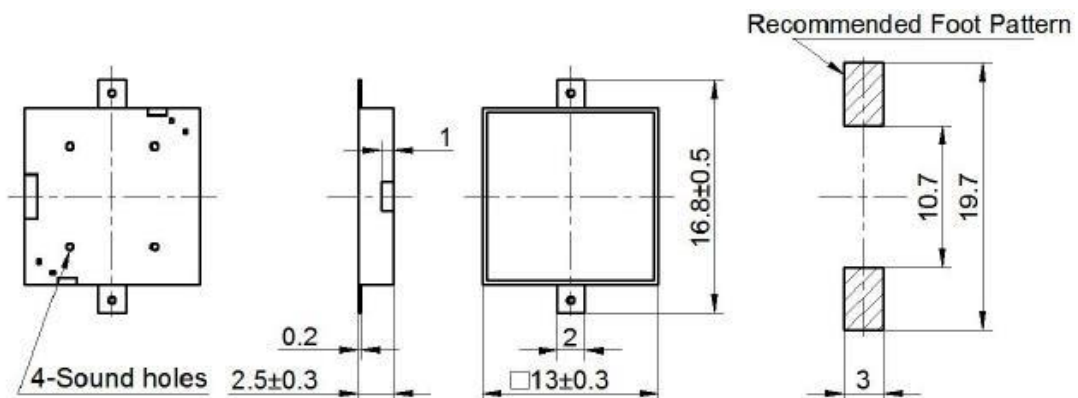


#### HPT13025F SERIES:

Type	UNIT	HPT13025F
*Min. Sound Output at 10cm	dB	75
Rated Voltage	Vp-p	5
Operating Voltage	Vp-p	1~25
Resonant Frequency	Hz	4100±500
.Rated Consumption	mA	5
Capacitance at 120 HZ	pF	15000±30%
Operating Temperature	°C	-20~+105
Storage Temperature	°C	-30~+110
Dimension	13*13*H2.5	
Weight	g	0.5

Value applying rated voltage (Resonant frequency, 1/2duty, square wave)

#### Dimensions (Unit:mm)





#### HPT16025F SERIES:

Type	UNIT	HPT16025F
*Min. Sound Output at 10cm	dB	75
Rated Voltage	Vp-p	5
Operating Voltage	Vp-p	1~25
Resonant Frequency	Hz	4000
.Rated Consumption	mA	5
Capacitance at 120 HZ	pF	15000±30%
Operating Temperature	°C	-20~+70
Storage Temperature	°C	-30~+80
Dimension	16*16*H2.5	
Weight	g	0.5

Value applying rated voltage (Resonant frequency, 1/2duty, square wave)

#### Dimensions (Unit:mm)

